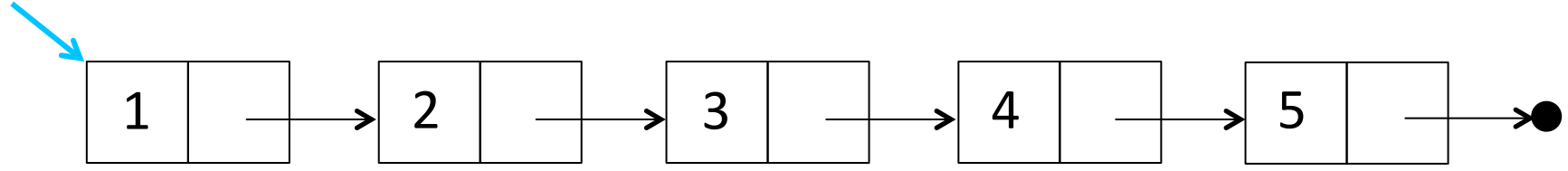
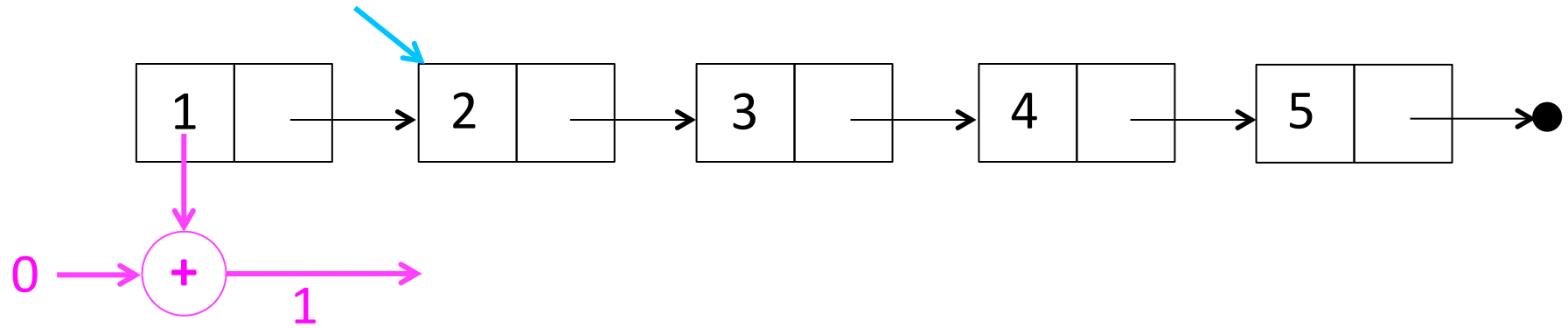


`(down-and-up-helper 0 '(1 2 3 4 5))`

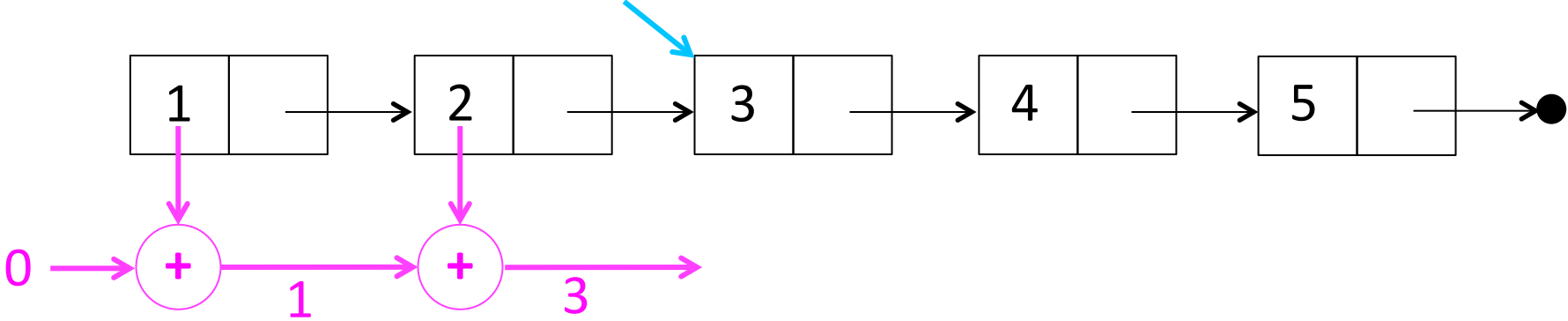


`0` →

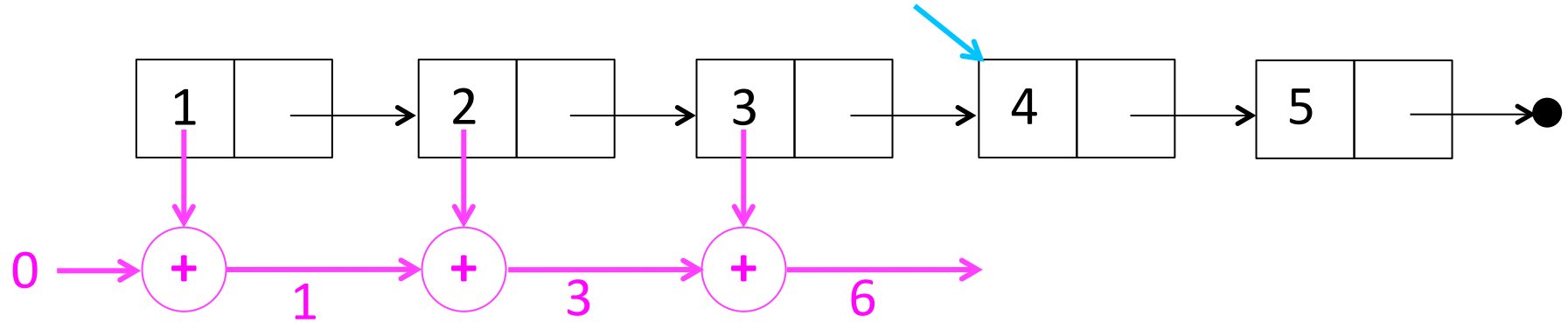
(down-and-up-helper 1 '(2 3 4 5))



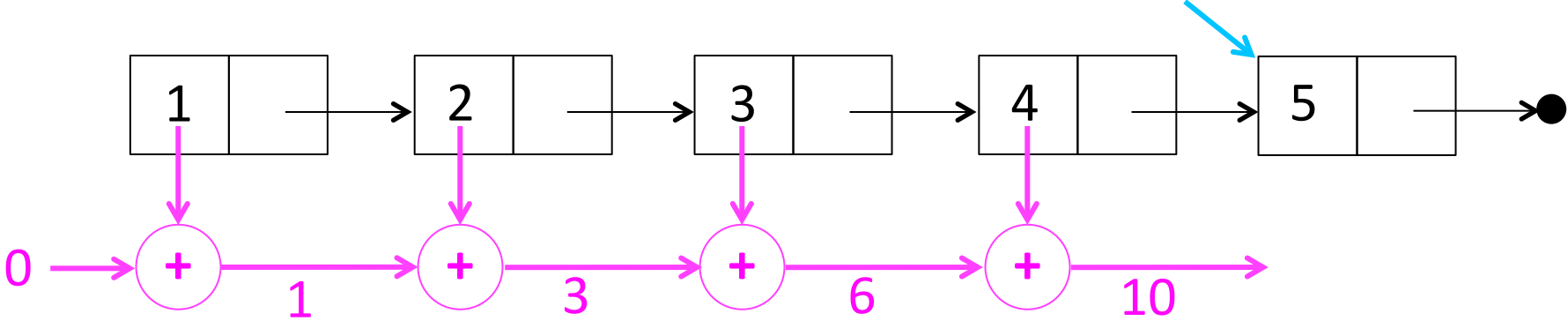
```
(down-and-up-helper 3 '(3 4 5))
```



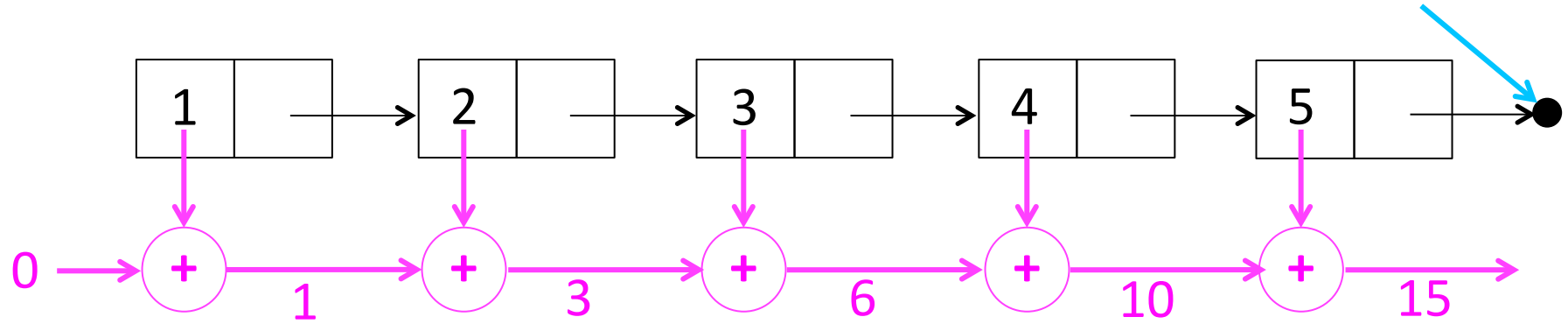
(down-and-up-helper 6 '(4 5))



(down-and-up-helper 10 '(5))

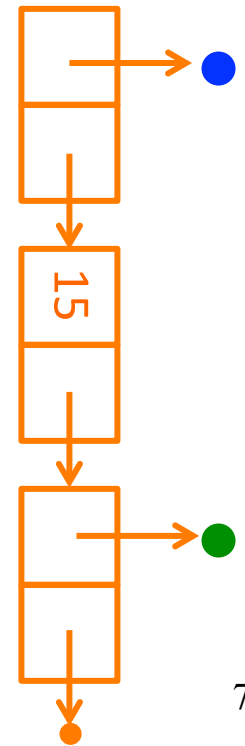
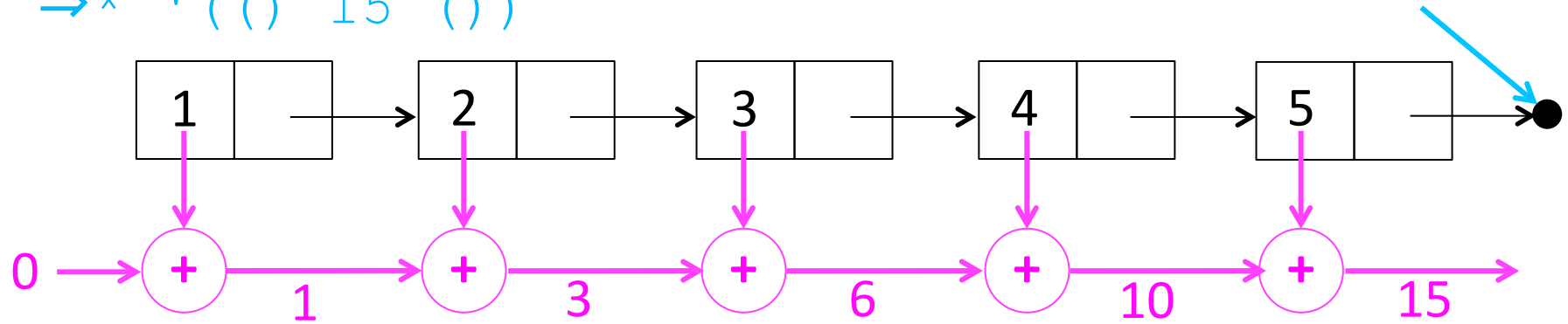


(down-and-up-helper 15 ' ())



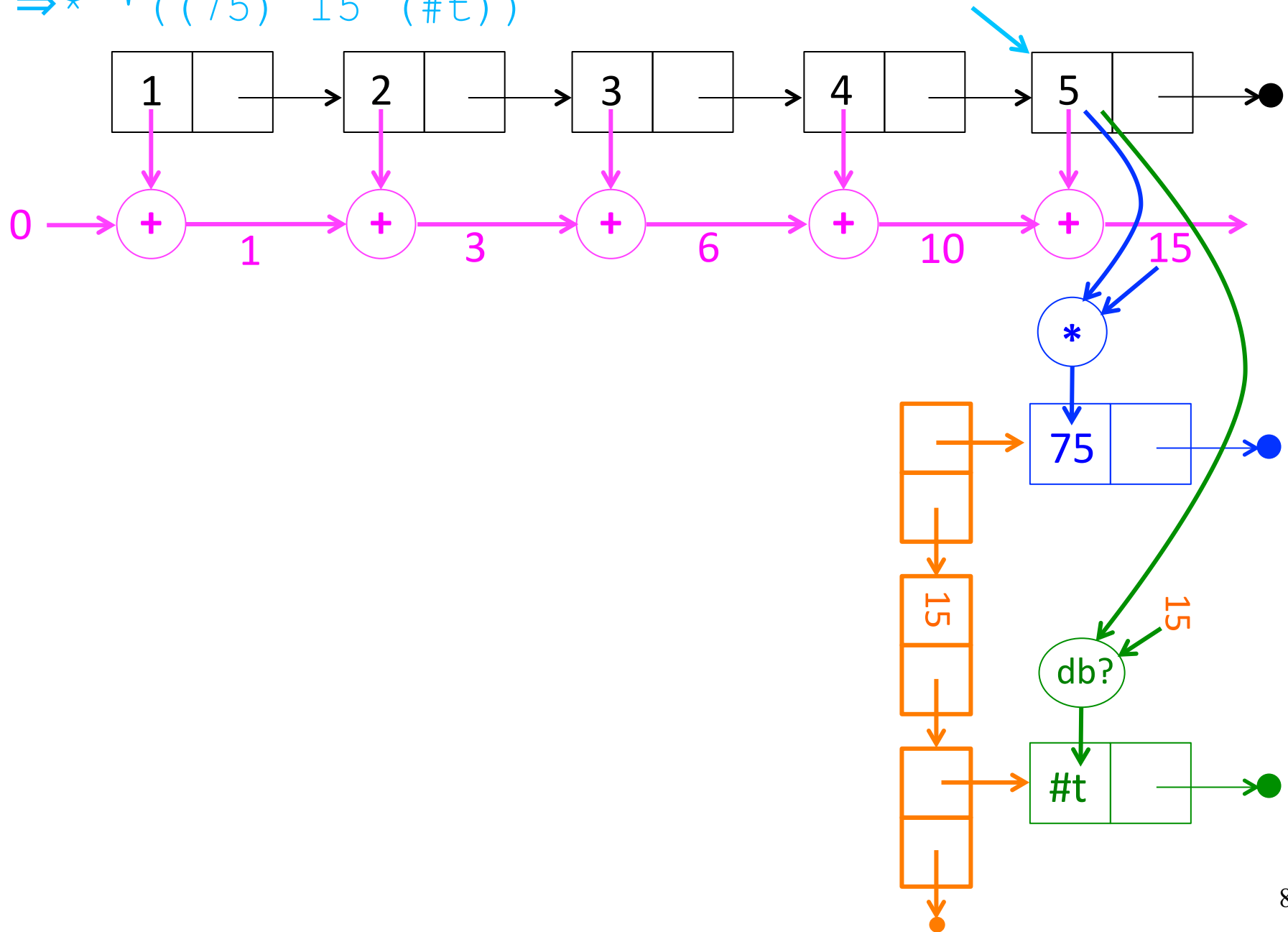
(down-and-up-helper 15 ' ())

⇒ * ' (() 15 ())



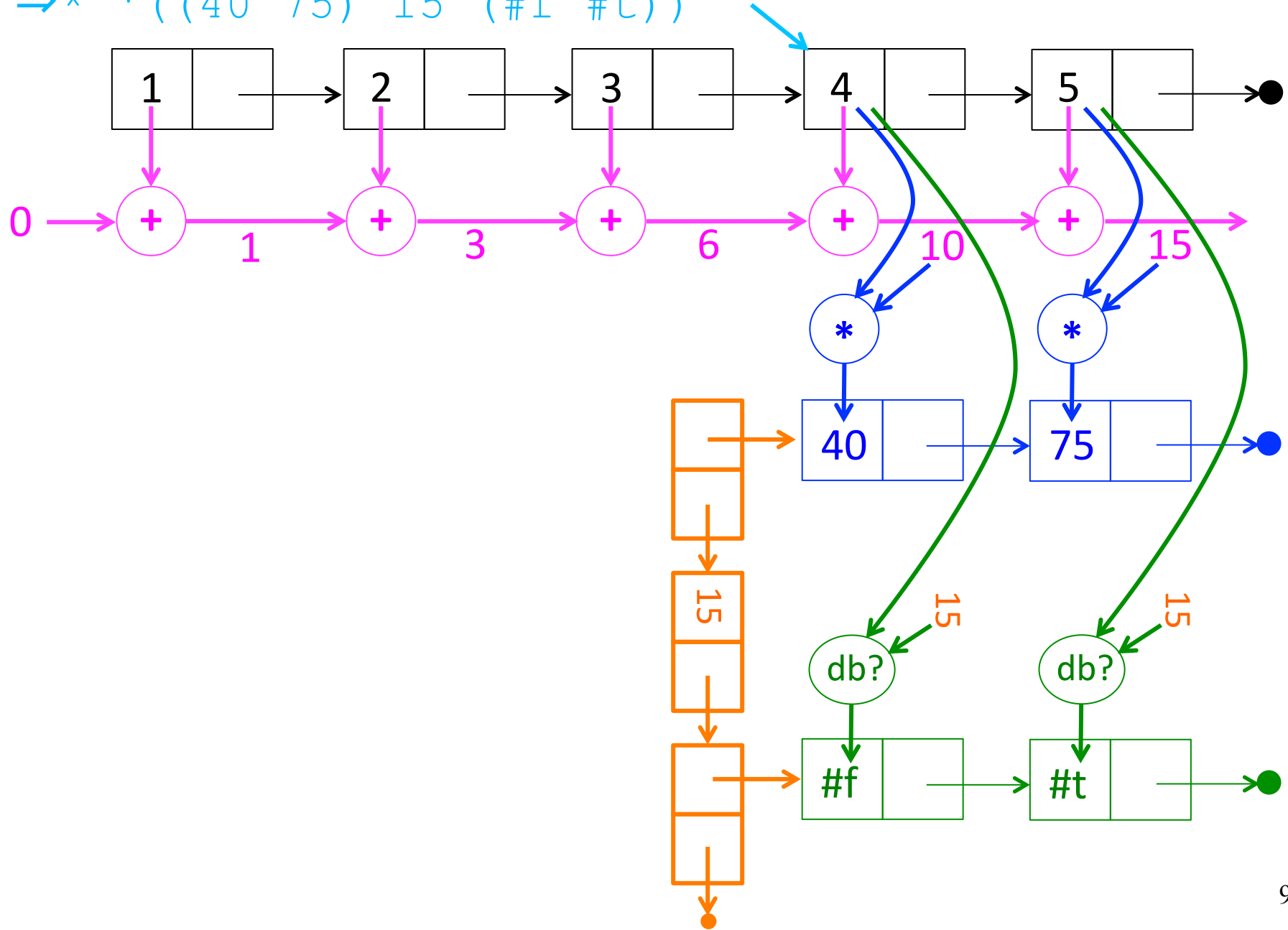
(down-and-up-helper 10 '(5))

⇒ * '((75) 15 (#t))



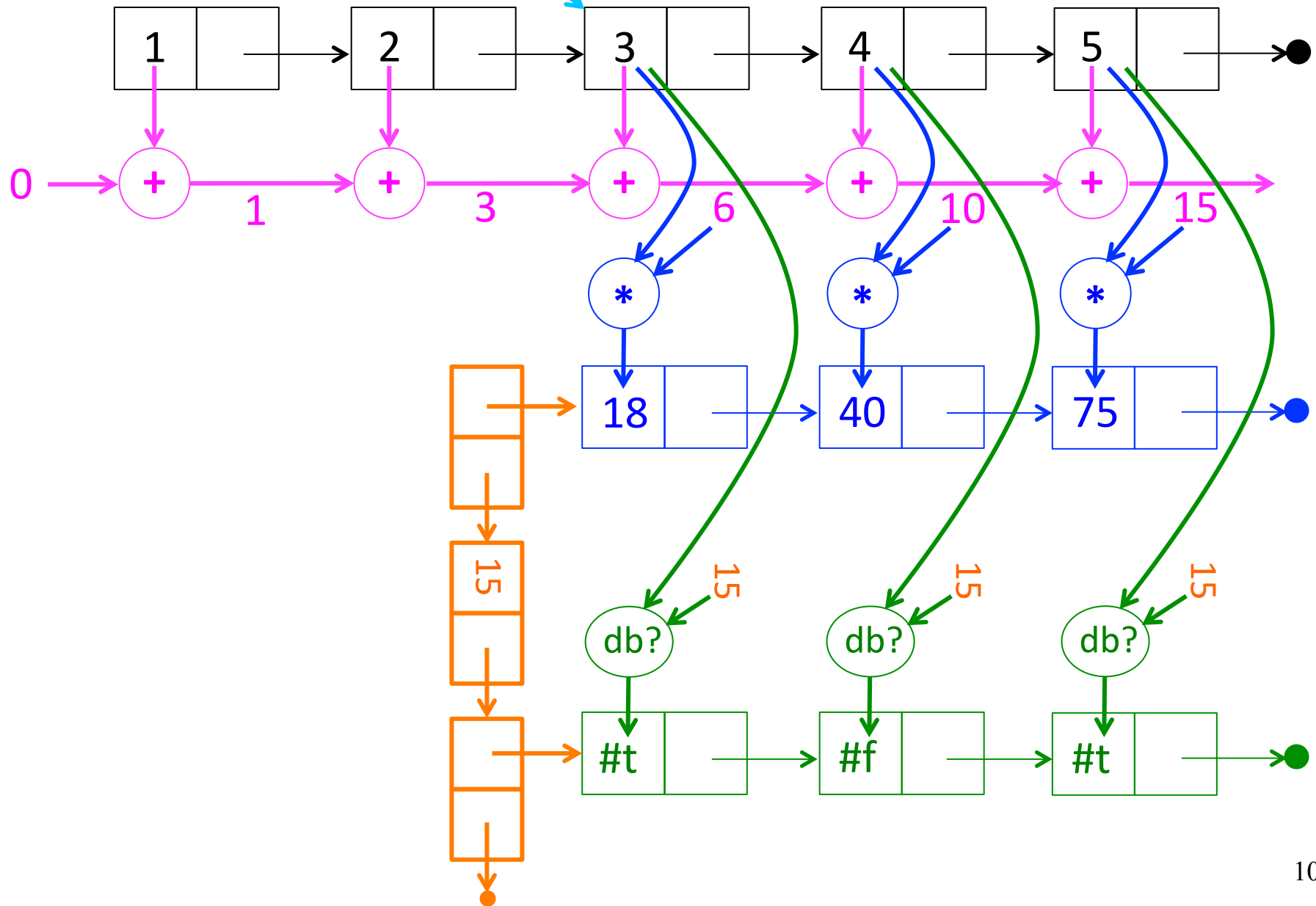
(down-and-up-helper 6 '(4 5))

⇒ * '((40 75) 15 (#f #t))



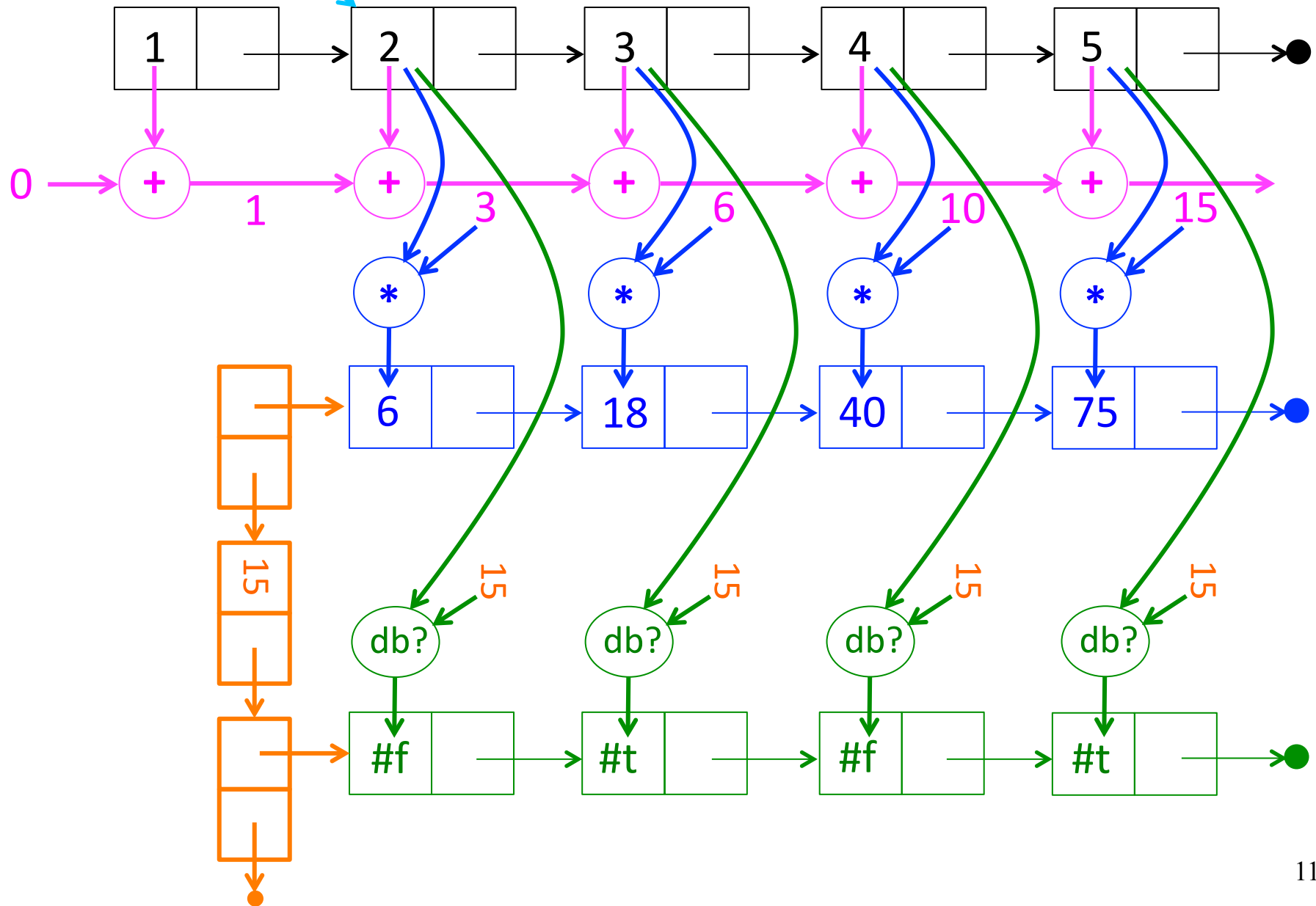
(down-and-up-helper 3 '(3 4 5))

⇒* '((18 40 75) 15 (#t #f #t))



(down-and-up-helper 1 '(2 3 4 5))

⇒* '((6 18 40 75) 15 (#f #t #f #t))



(down-and-up-helper 0 '(1 2 3 4 5))

⇒* '((1 6 18 40 75) 15 (#t #f #t #f #t))

