



- 1. Basic combinational building blocks**
- 2. Logic for arithmetic**

Common combinational circuits: encoders, decoders, multiplexers, adders, Arithmetic Logic Unit

(printed together, separate sets of slides online)

But first...

## Recall: *sum of products*

logical sum (OR)

of products (AND)

of inputs or their complements (NOT).

A	B	C	M
0	0	0	0
0	0	1	0
0	1	0	0
0	1	1	1
1	0	0	0
1	0	1	1
1	1	0	1
1	1	1	1

Construct with:

- 1 code detector per 1-valued output row
- 1 large OR of all code detector outputs

Is it minimal?

# Gray Codes = reflected binary codes

Alternate binary encoding

designed for electromechanical switches and counting.

			00	01		11	10		
			0	1		2	3		
000	001	011	010		110	111	101	100	
0	1	2	3		4	5	6	7	

How many bits change when incrementing?

# Karnaugh Maps: find (minimal) sums of products

A	B	C	D	F(A, B, C, D)
0	0	0	0	0
0	0	0	1	0
0	0	1	0	0
0	0	1	1	0
0	1	0	0	0
0	1	0	1	0
<b>0</b>	<b>1</b>	<b>1</b>	<b>0</b>	<b>1</b>
0	1	1	1	0
<b>1</b>	<b>0</b>	<b>0</b>	<b>0</b>	<b>1</b>
<b>1</b>	<b>0</b>	<b>0</b>	<b>1</b>	<b>1</b>
<b>1</b>	<b>0</b>	<b>1</b>	<b>0</b>	<b>1</b>
<b>1</b>	<b>0</b>	<b>1</b>	<b>1</b>	<b>1</b>
<b>1</b>	<b>1</b>	<b>0</b>	<b>0</b>	<b>1</b>
<b>1</b>	<b>1</b>	<b>0</b>	<b>1</b>	<b>1</b>
<b>1</b>	<b>1</b>	<b>1</b>	<b>0</b>	<b>1</b>
1	1	1	1	0

		CD			
		gray code			
		order →			
		00	01	11	10
AB	00	0	0	0	0
	01	0	0	0	1
	11	1	1	0	1
	10	1	1	1	1

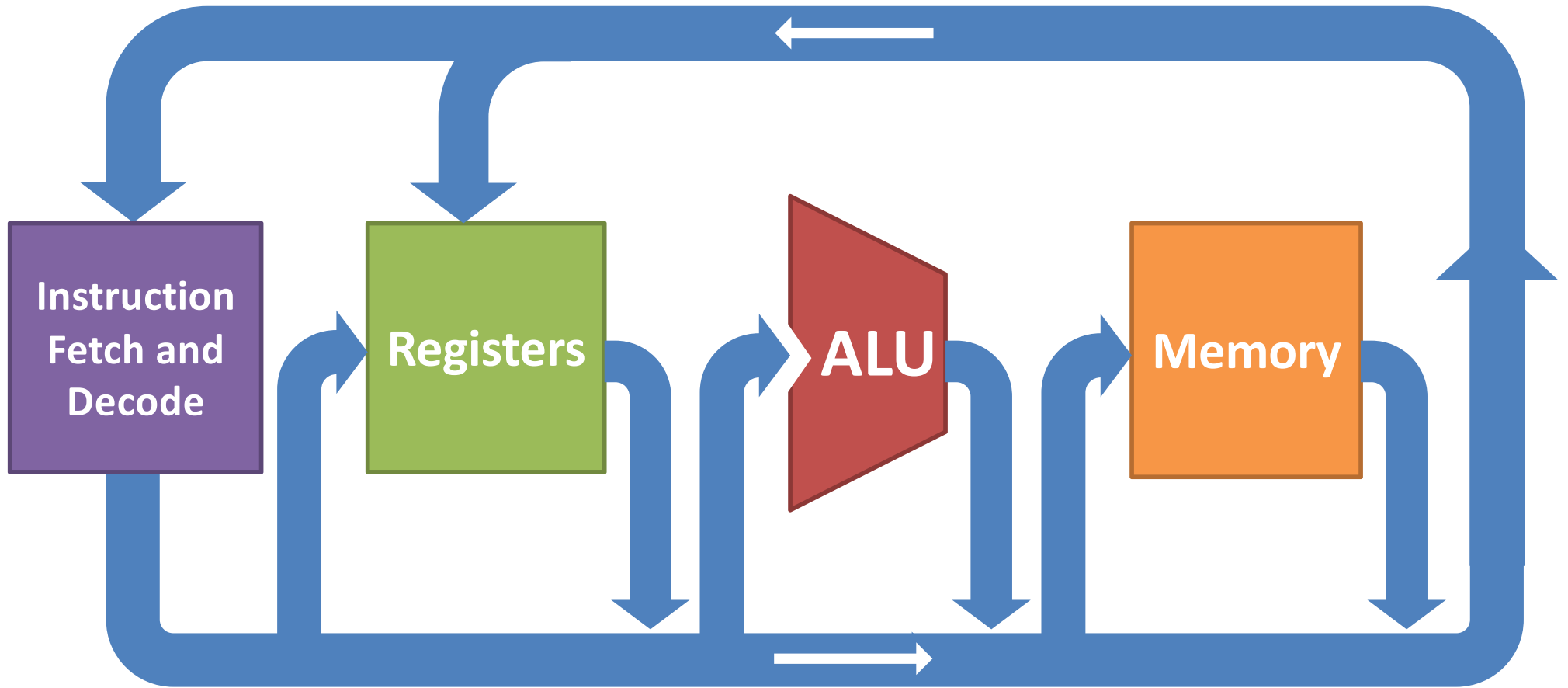
1. Cover exactly the 1s by drawing a (minimum) number of maximally sized rectangles whose dimensions (in cells) are powers of 2. (They may overlap or wrap around!)
2. For each rectangle, make a *product* of the inputs (or complements) that are 1 for all cells in the rectangle. (*minterms*)
3. Take the *sum* of these products.

# Voting again with Karnaugh Maps



A	B	C	M
0	0	0	0
0	0	1	0
0	1	0	0
0	1	1	1
1	0	0	0
1	0	1	1
1	1	0	1
1	1	1	1

# Goal for next 2 weeks: **Simple Processor**



# Toolbox: Building Blocks



Processor datapath

Microarchitecture

Instruction Decoder  
Arithmetic Logic Unit

Memory

Digital Logic

Adders  
Multiplexers  
Demultiplexers  
Encoders  
Decoders

Registers

Flip-Flops  
Latches

Gates



Devices (transistors,  
etc.)

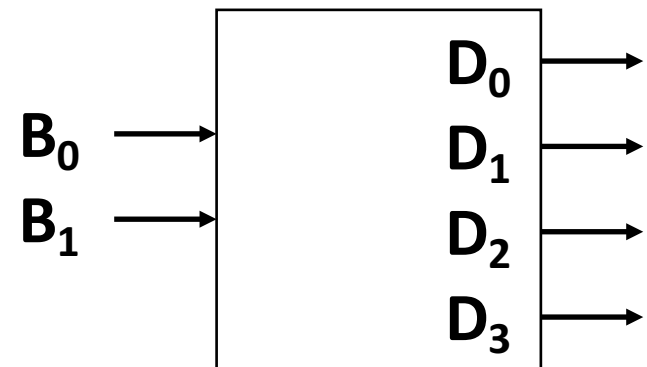
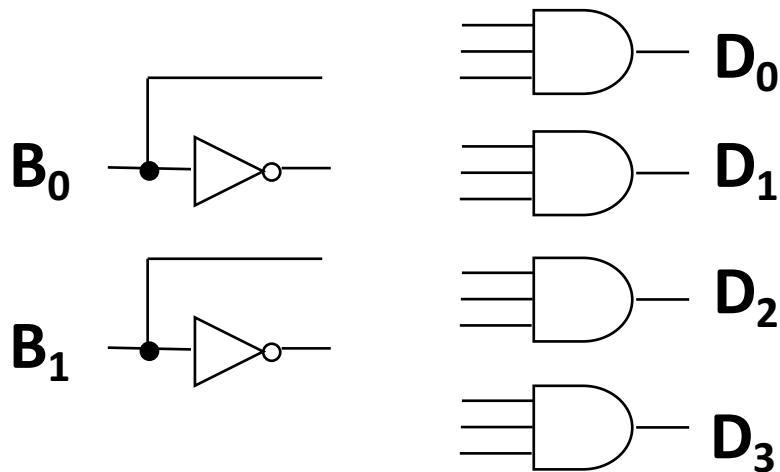
# Decoders

Decodes input number, asserts corresponding output.

$n$ -bit input (an unsigned number)

$2^n$  outputs

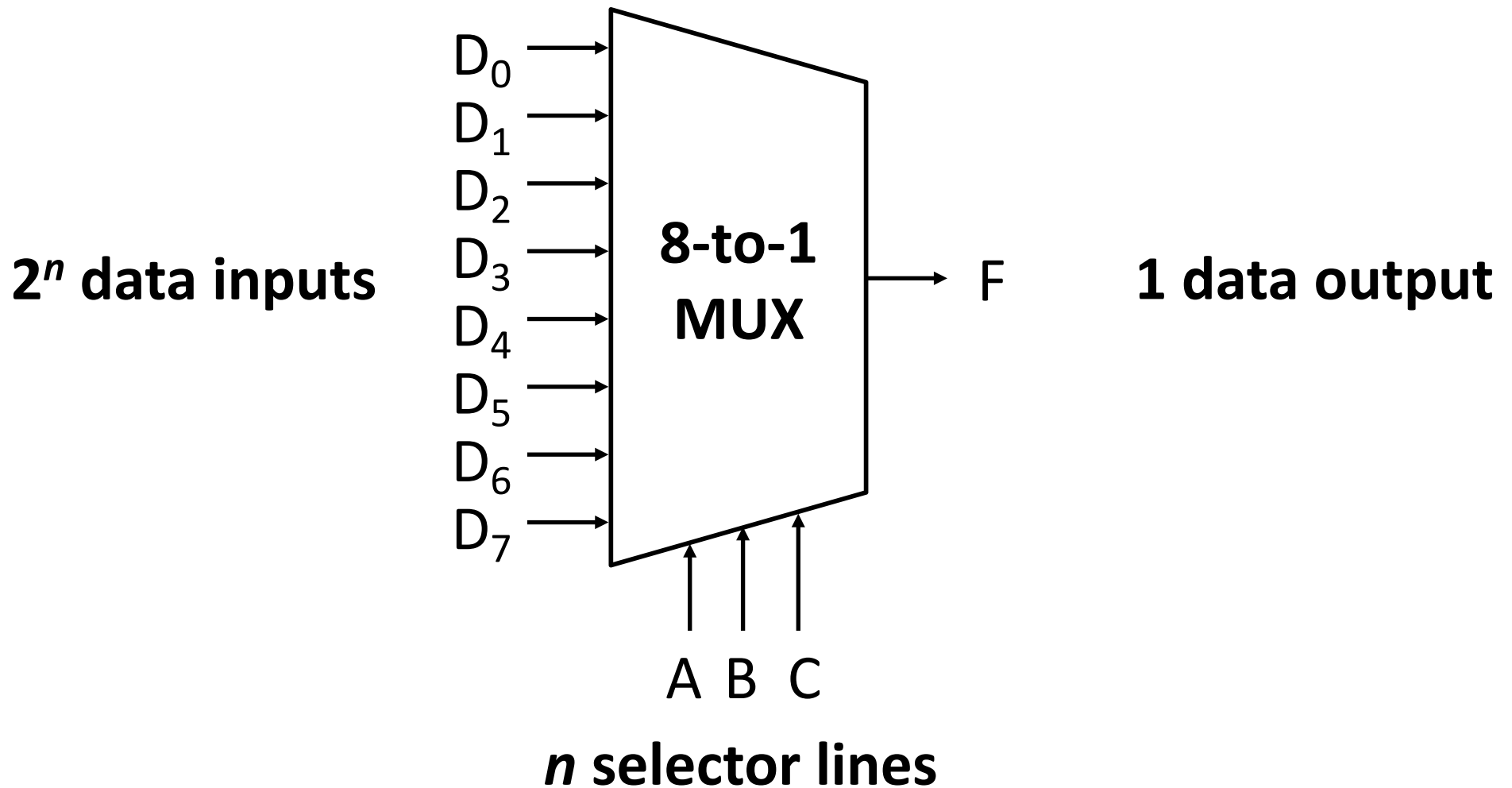
Built with code detectors.





# Multiplexers

Select one of several inputs as output.



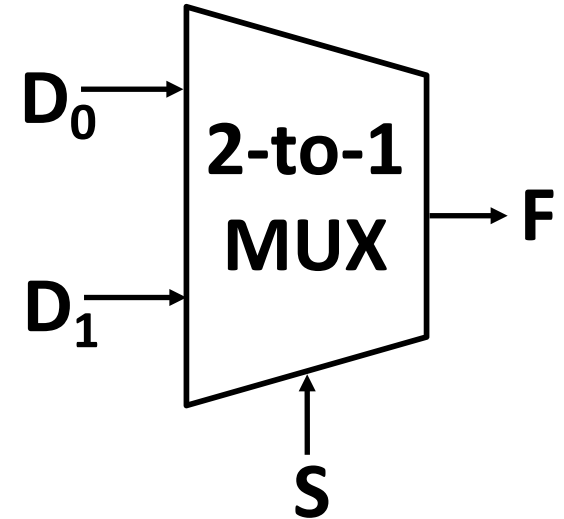
# Build a 2-to-1 MUX from gates

ex

If  $S=0$ , then  $F=D_0$ .

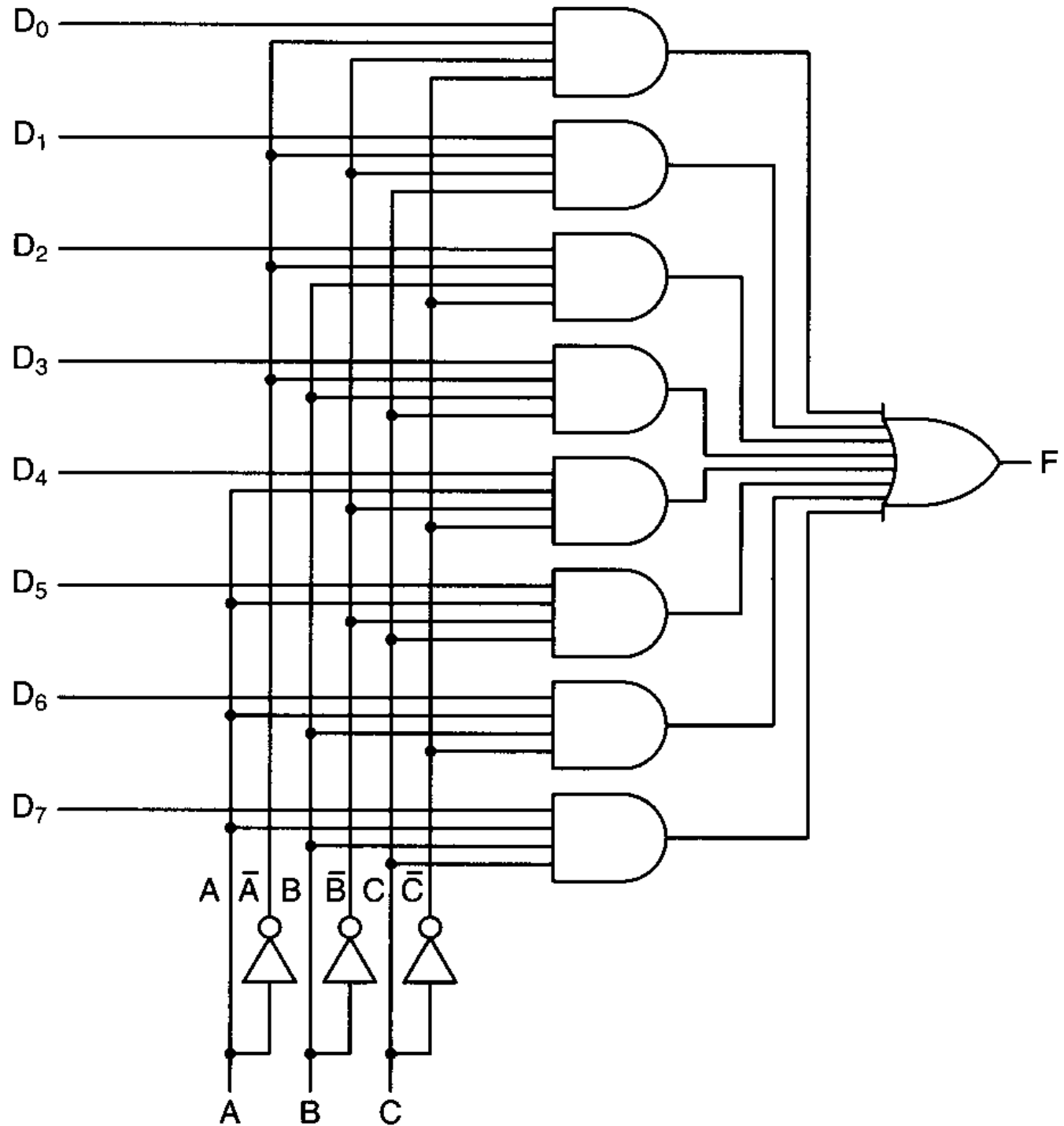
If  $S=1$ , then  $F=D_1$ .

1. Construct the truth table.



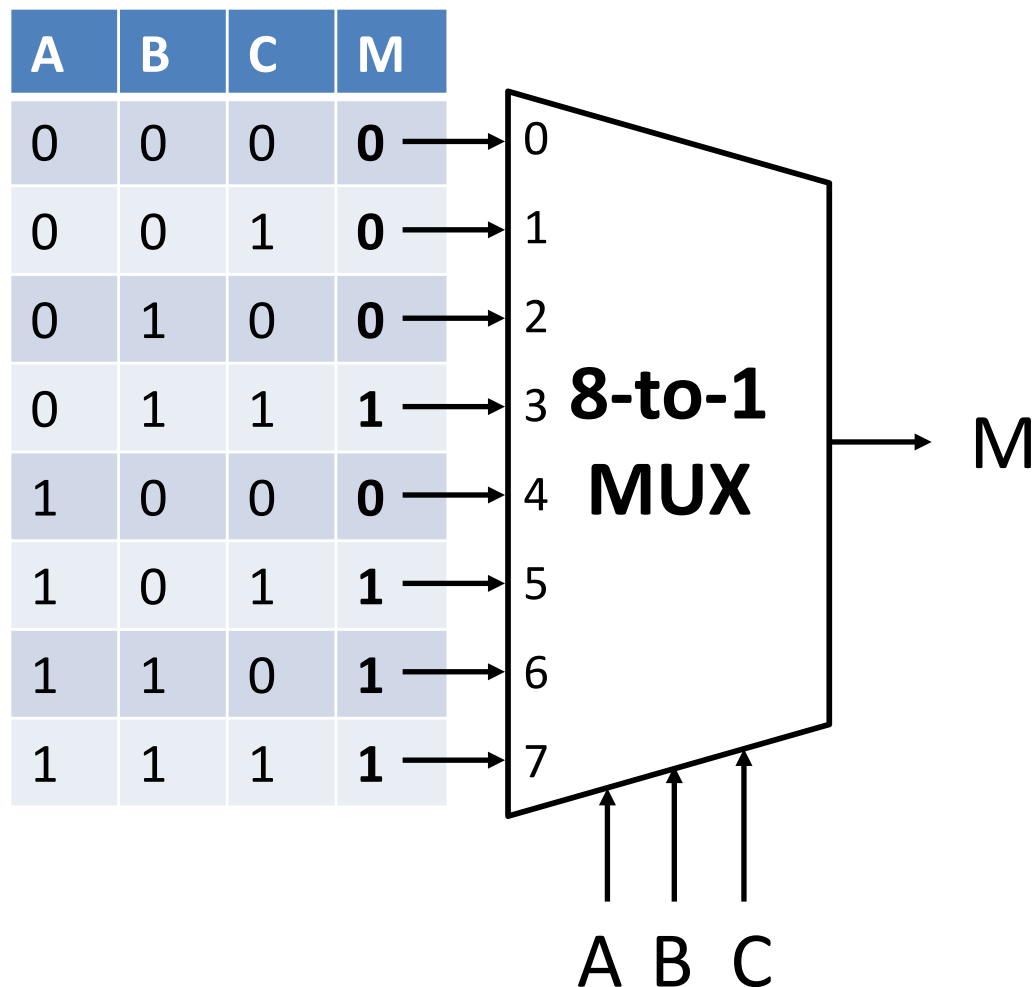
2. Build the circuit.

# 8-to-1 MUX



Costume idea: MUX OX

# MUX + voltage source = truth table



# Buses and Logic Arrays

A **bus** is a collection of data lines treated as a single logical signal.

= **fixed-width value**

**Array of logic elements** applies same operation to each bit in a bus.

= **bitwise operator**

