

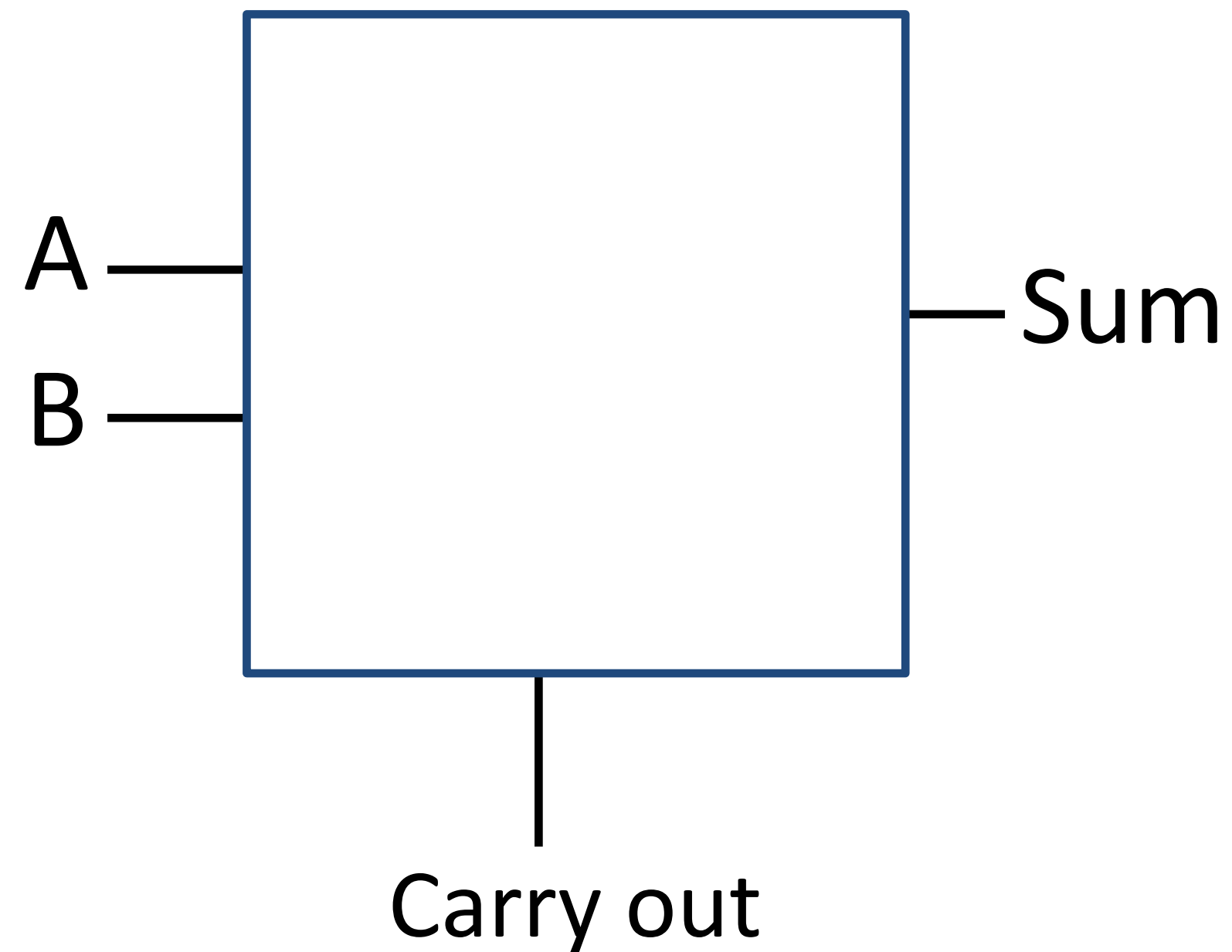
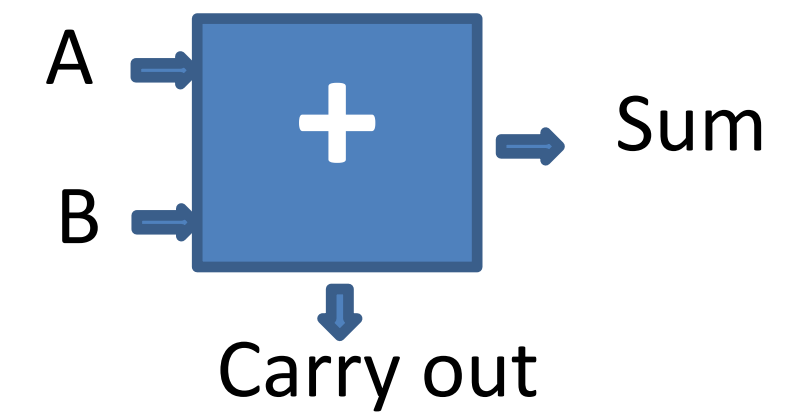


# Arithmetic Logic

adders

Arithmetic Logic Unit

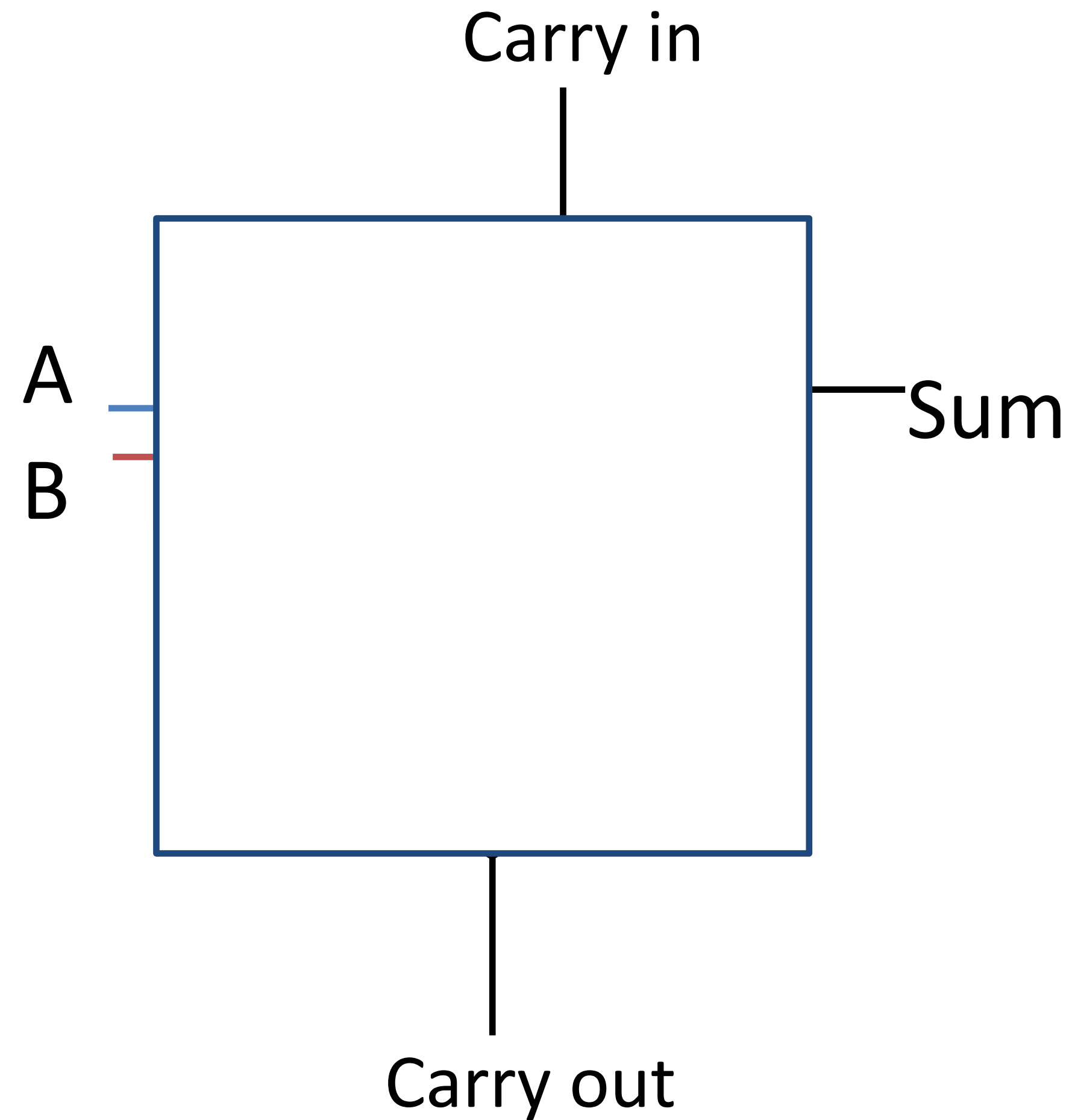
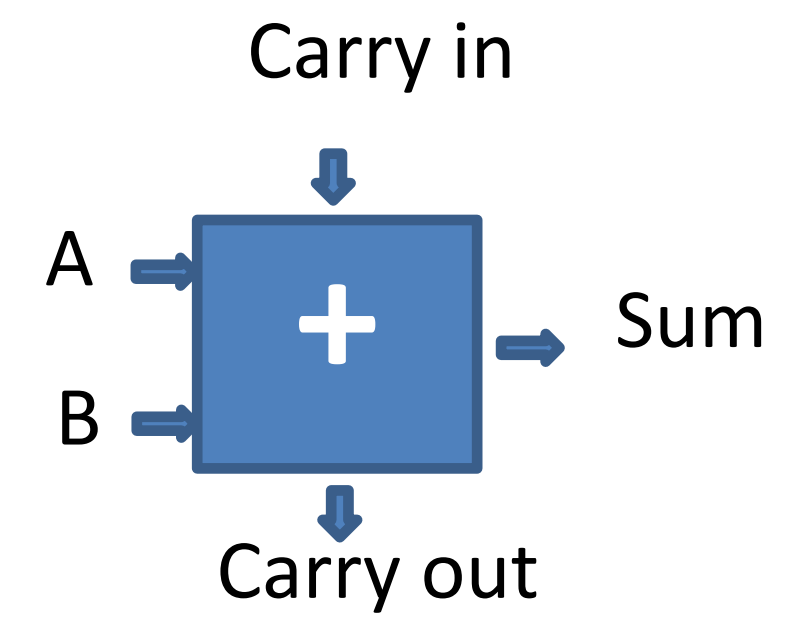
# Addition: 1-bit *half* adder



A	B	Carry Out	Sum
0	0	0	0
0	1	0	1
1	0	0	1
1	1	1	0

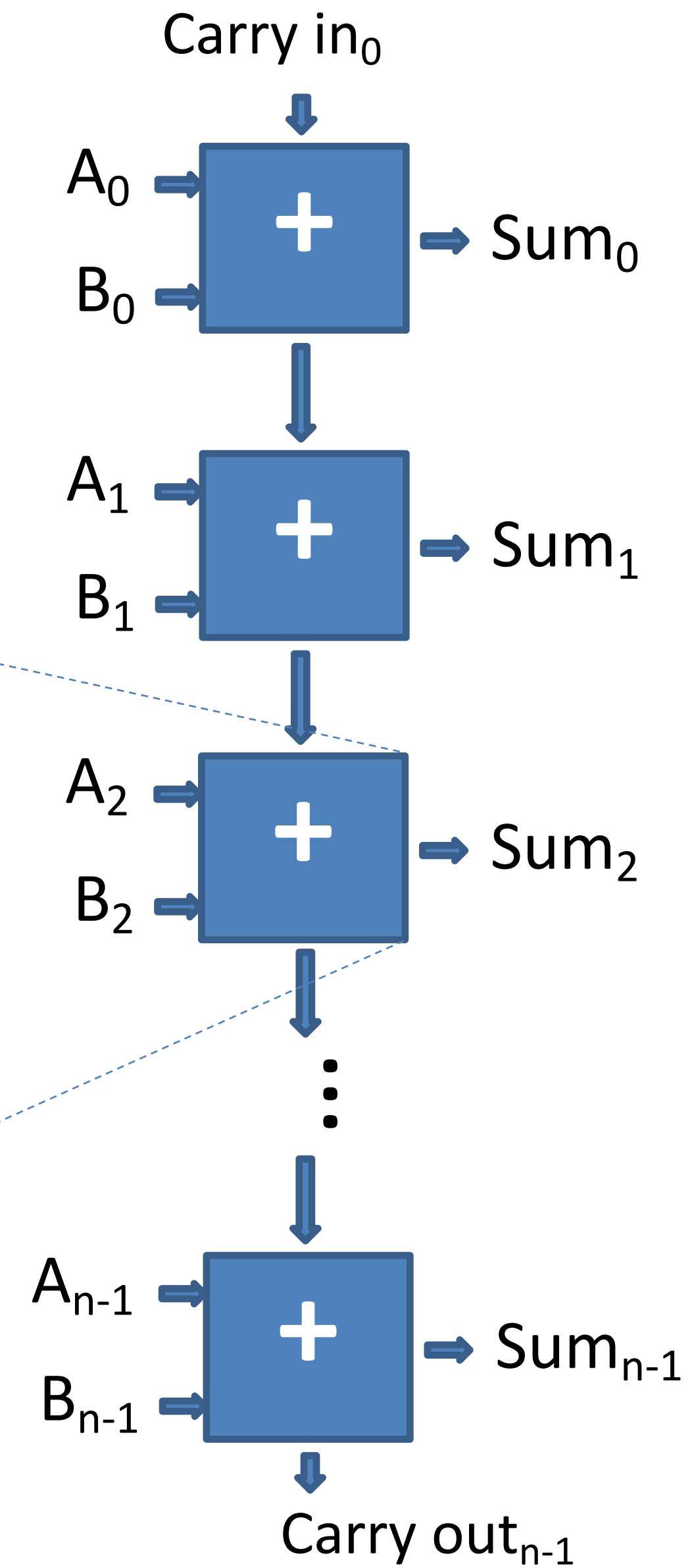
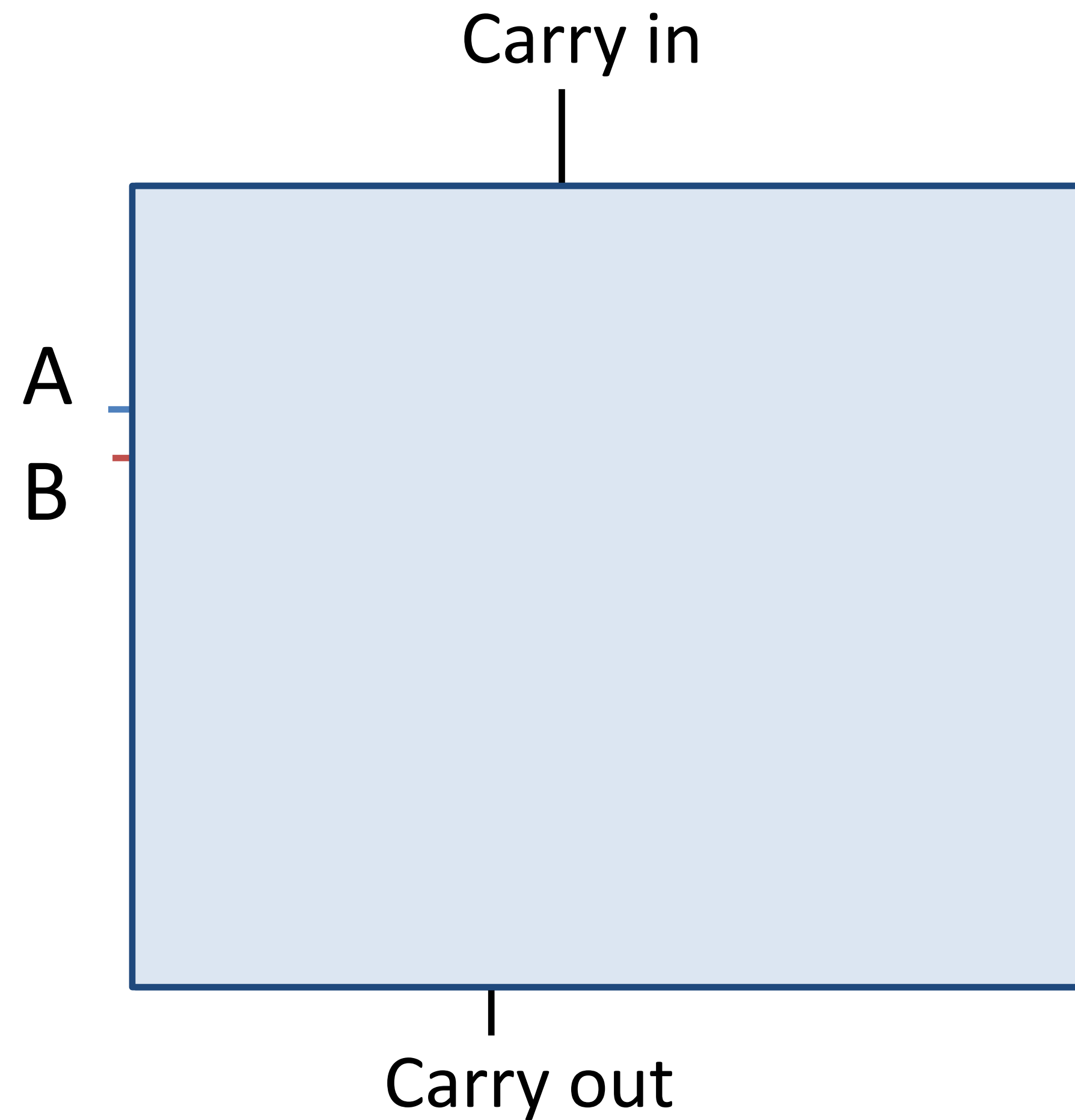
*Hint: the smallest solution uses 2 gates from: AND, OR, XOR, NOT, NAND, NOR*

# Addition: 1-bit *full* adder



Carry in	A	B	Carry Out	Sum
0	0	0	0	0
0	0	1	0	1
0	1	0	0	1
0	1	1	1	0
1	0	0	0	1
1	0	1	1	0
1	1	0	1	0
1	1	1	1	1

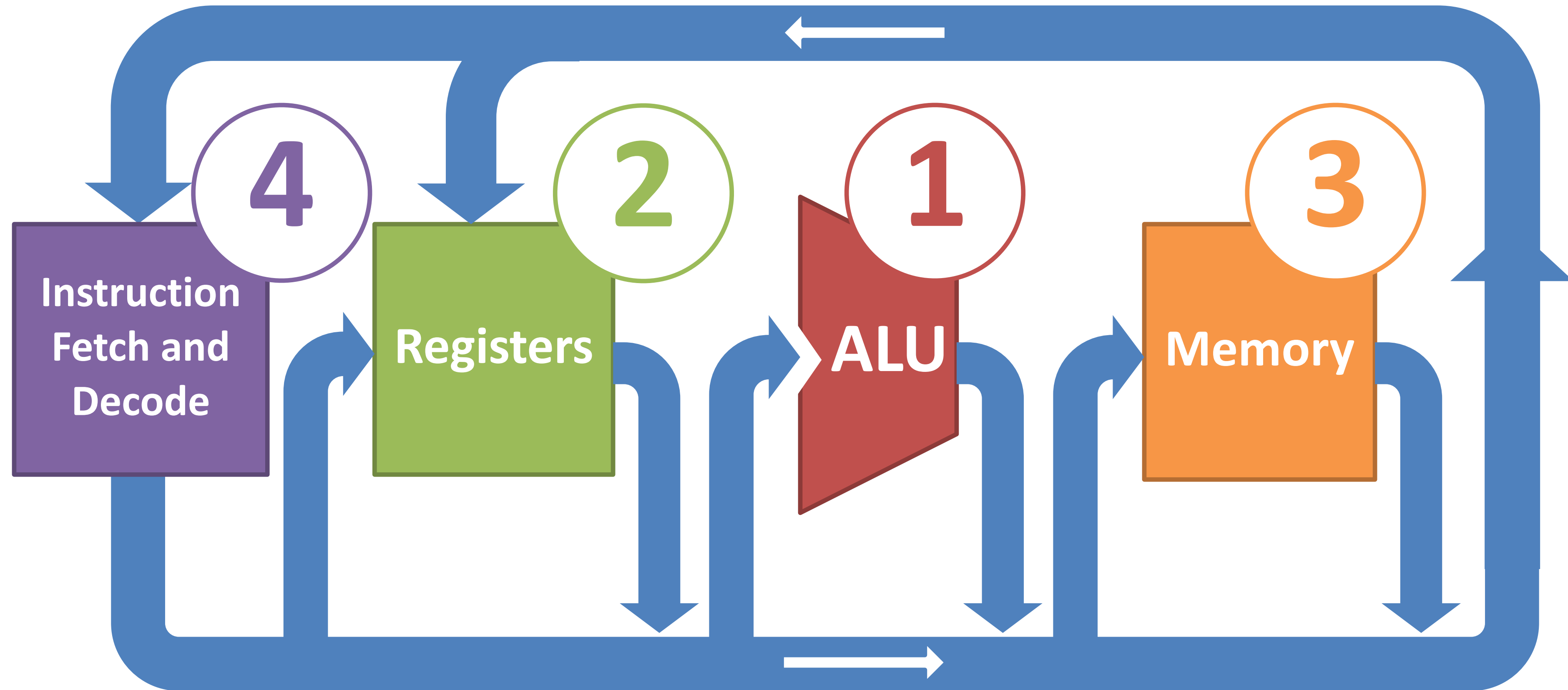
# Addition: *n*-bit *ripple-carry* adder



There are faster, more complicated ways too...

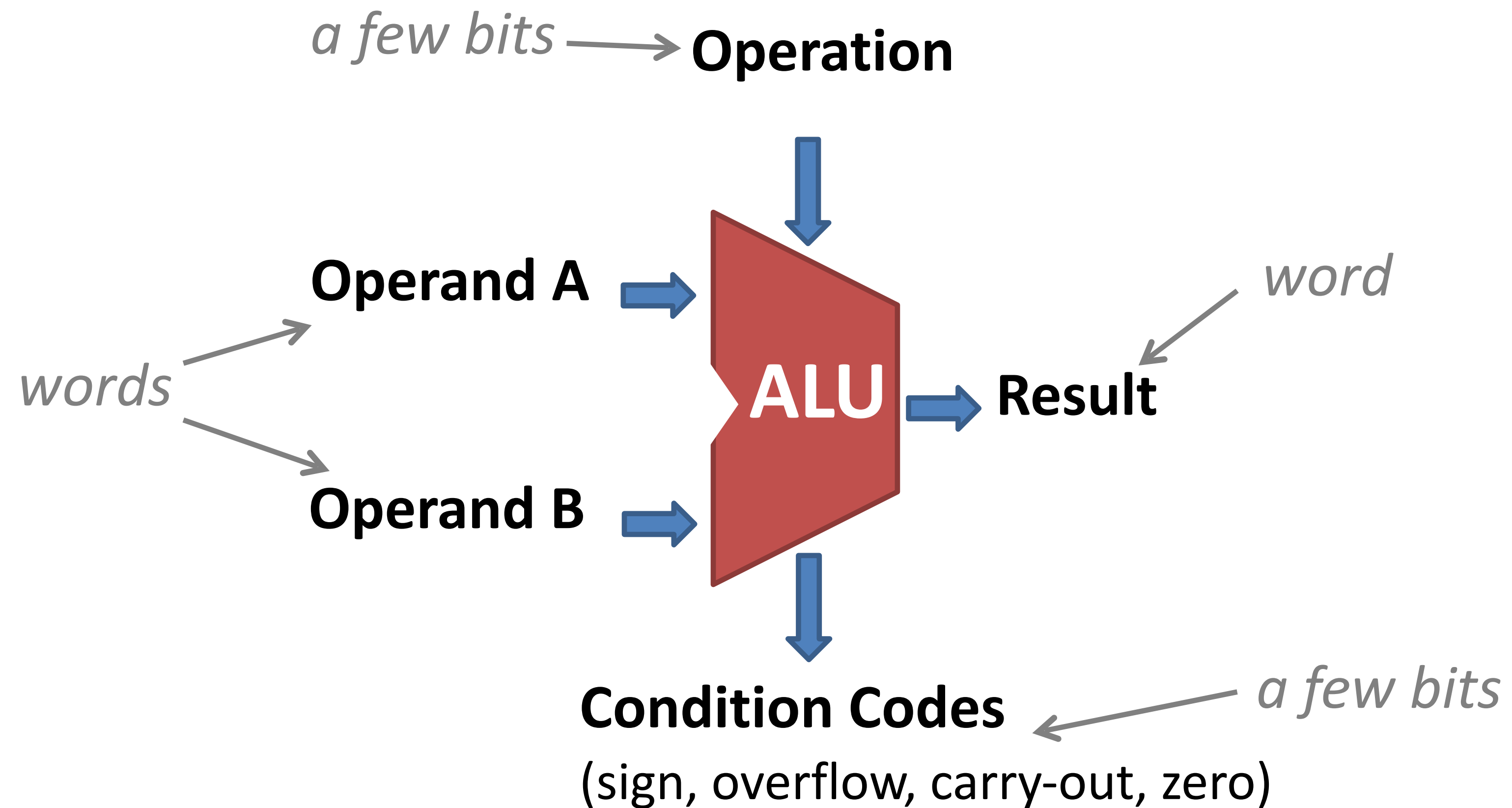
# Processor Components

**Abstraction!**



# Arithmetic Logic Unit (ALU)

1



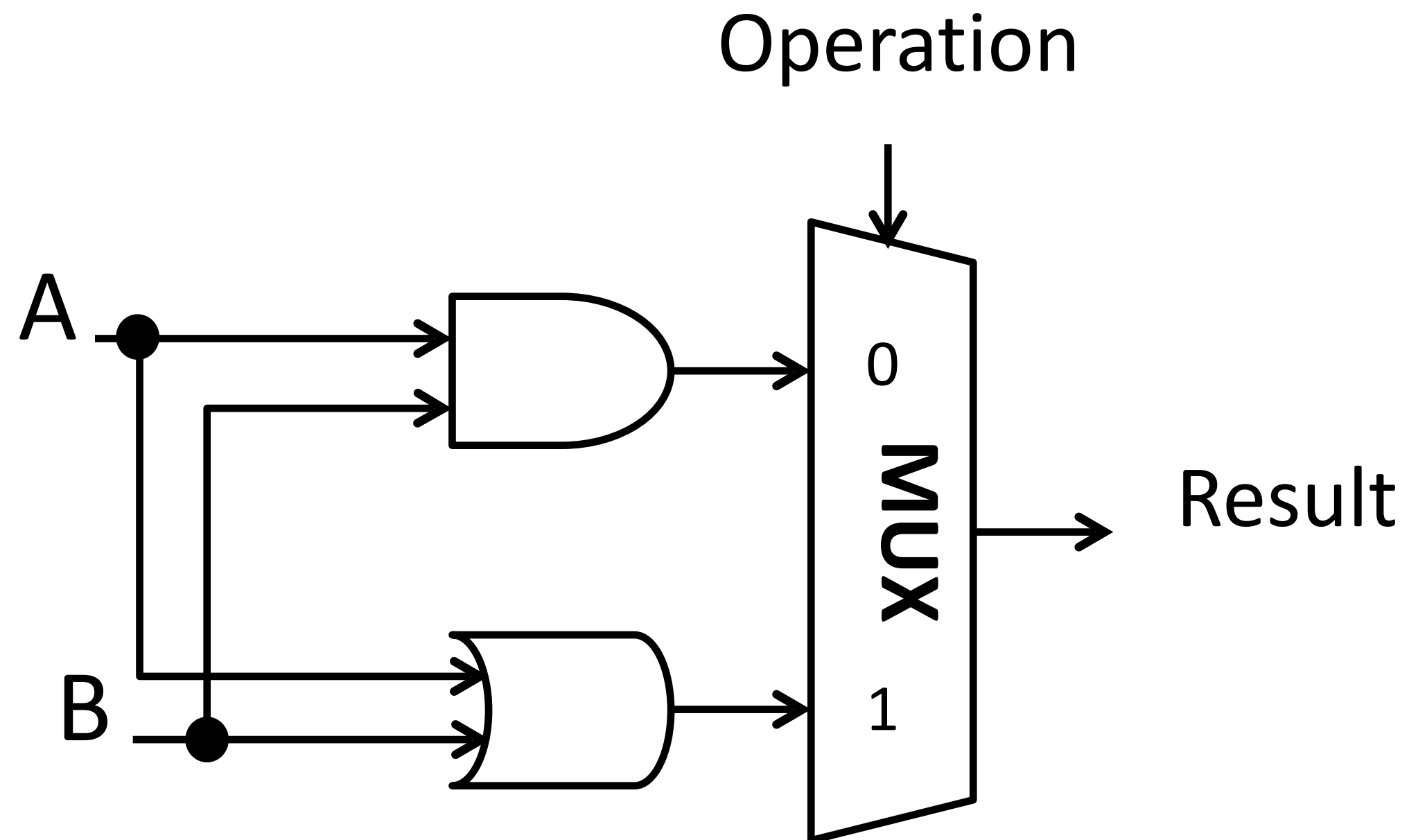
Hardware unit for arithmetic and bitwise operations.

# 1-bit ALU for bitwise operations

We will use  $n$  1-bit ALUs to build an  $n$ -bit ALU.

Each bit  $i$  in the result is computed from the corresponding bit  $i$  in the two inputs.

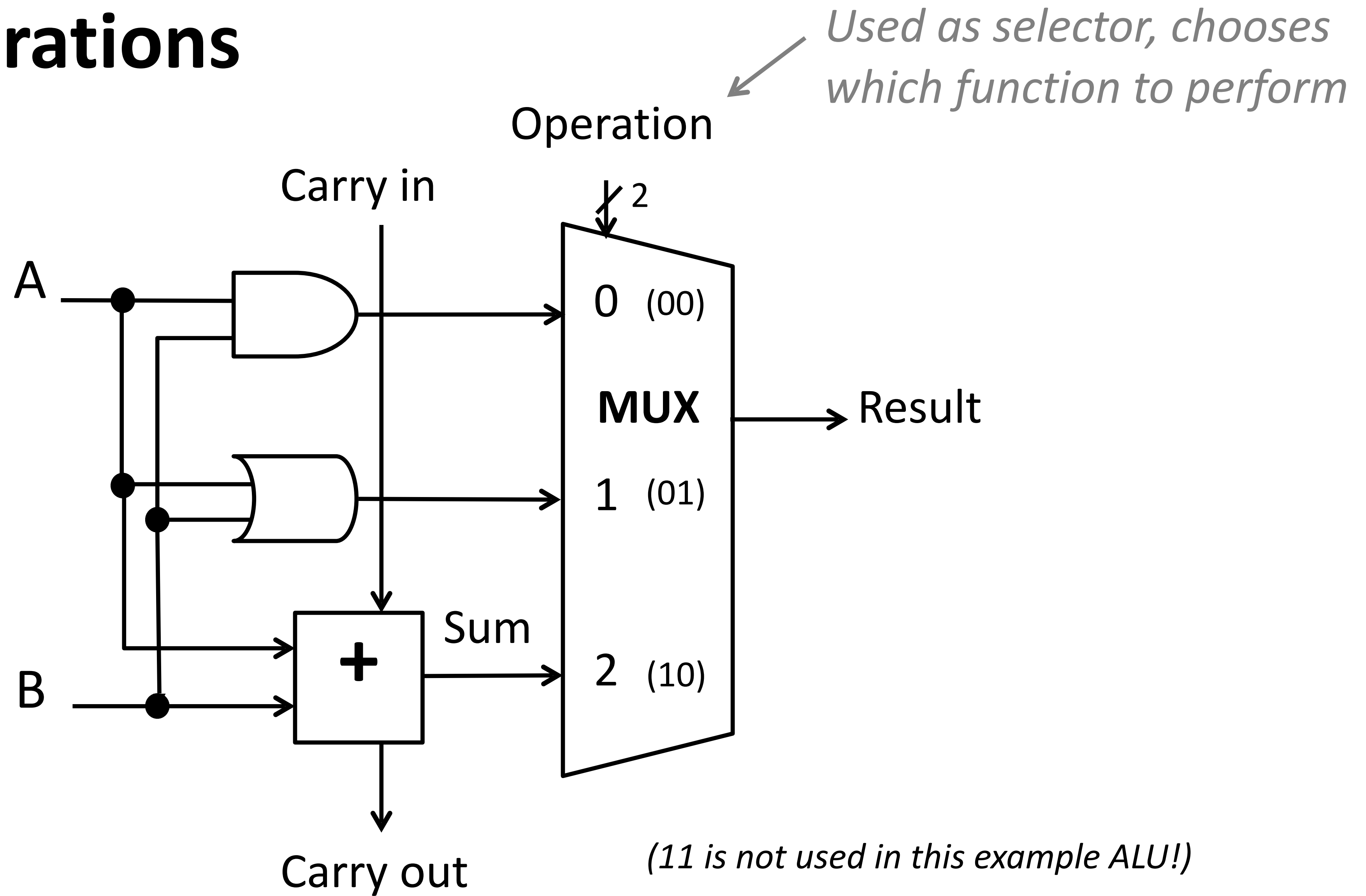
An example (simplified) 1-bit ALU



Op	A	B	Result
0	0	0	
0	0	1	
0	1	0	
0	1	1	
1	0	0	
1	0	1	
1	1	0	
1	1	1	

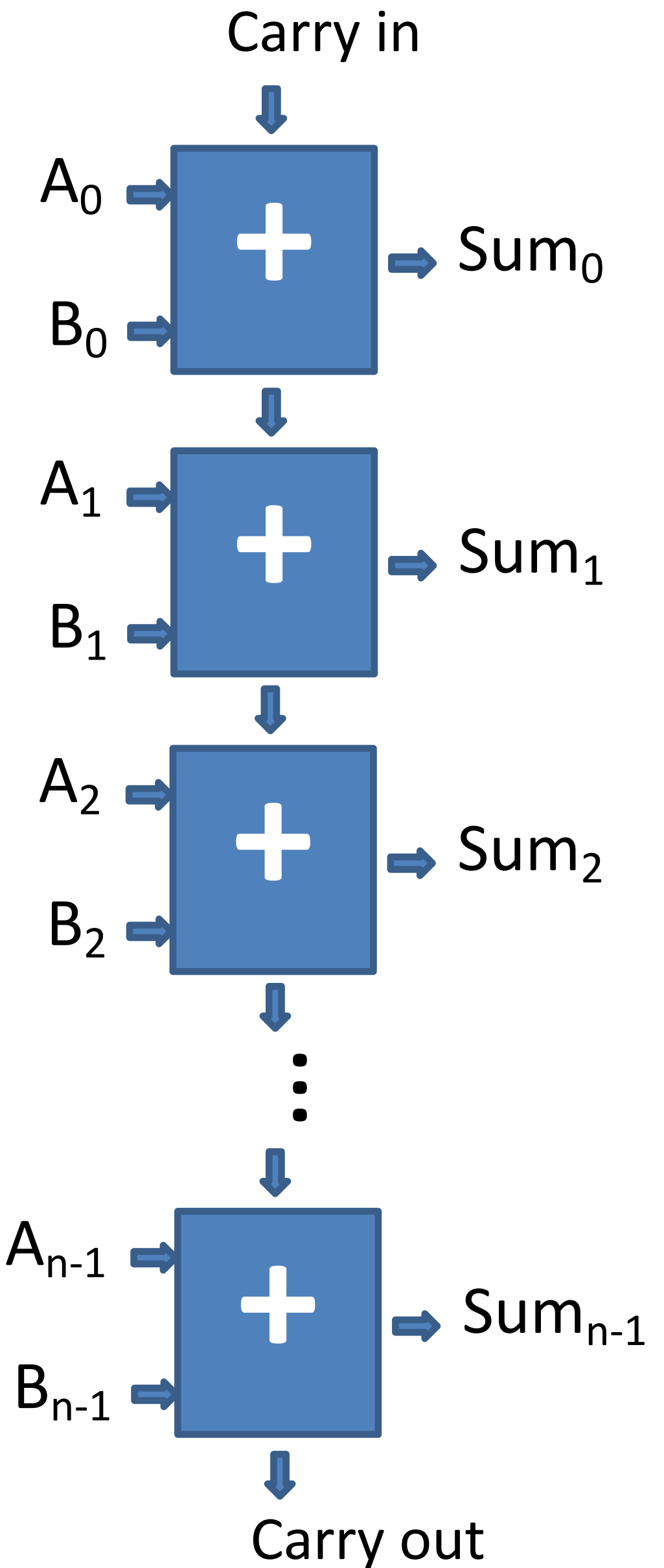


# 1-bit ALU: 3 operations

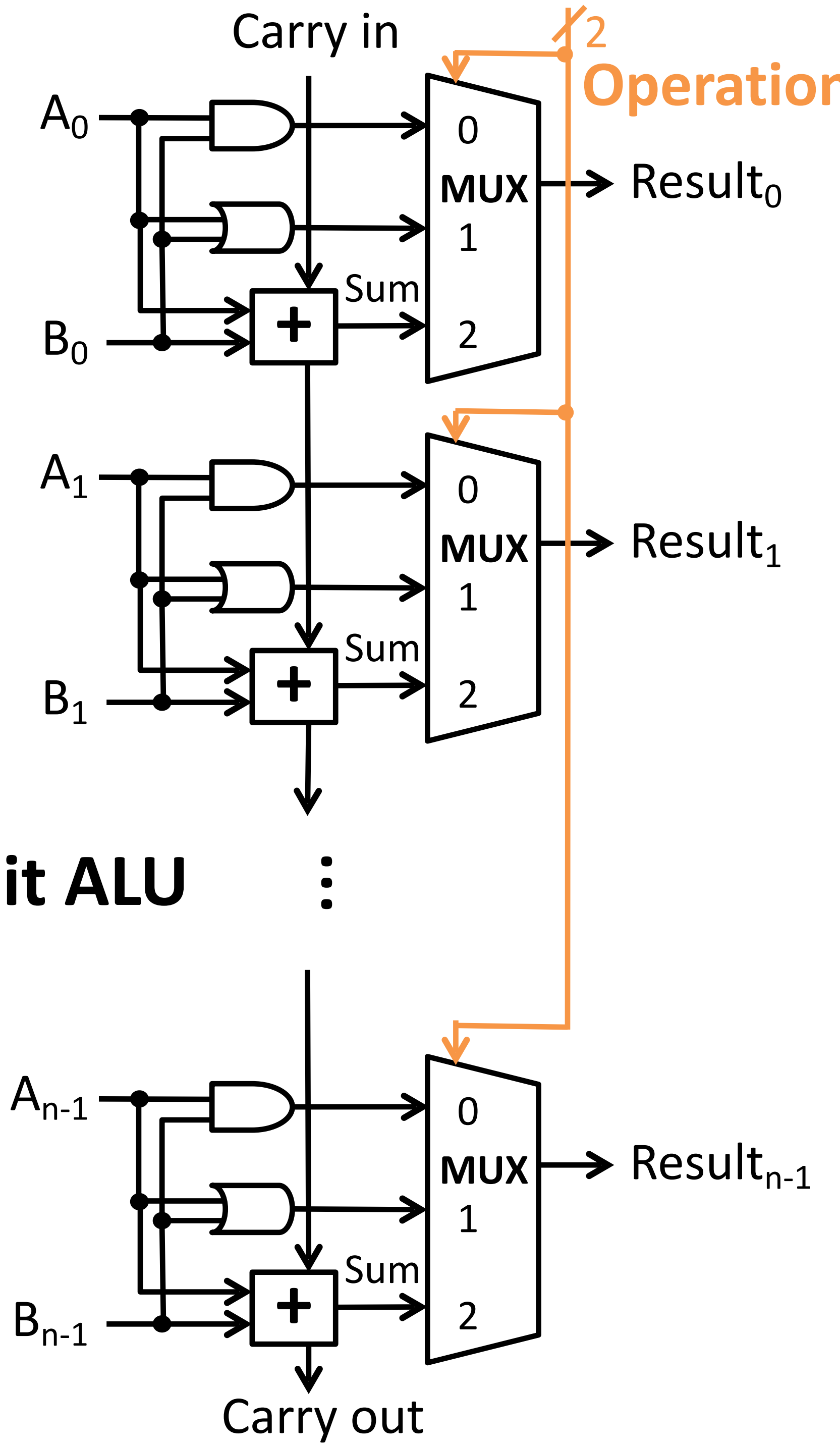




# n-bit ripple carry adder



# n-bit ALU

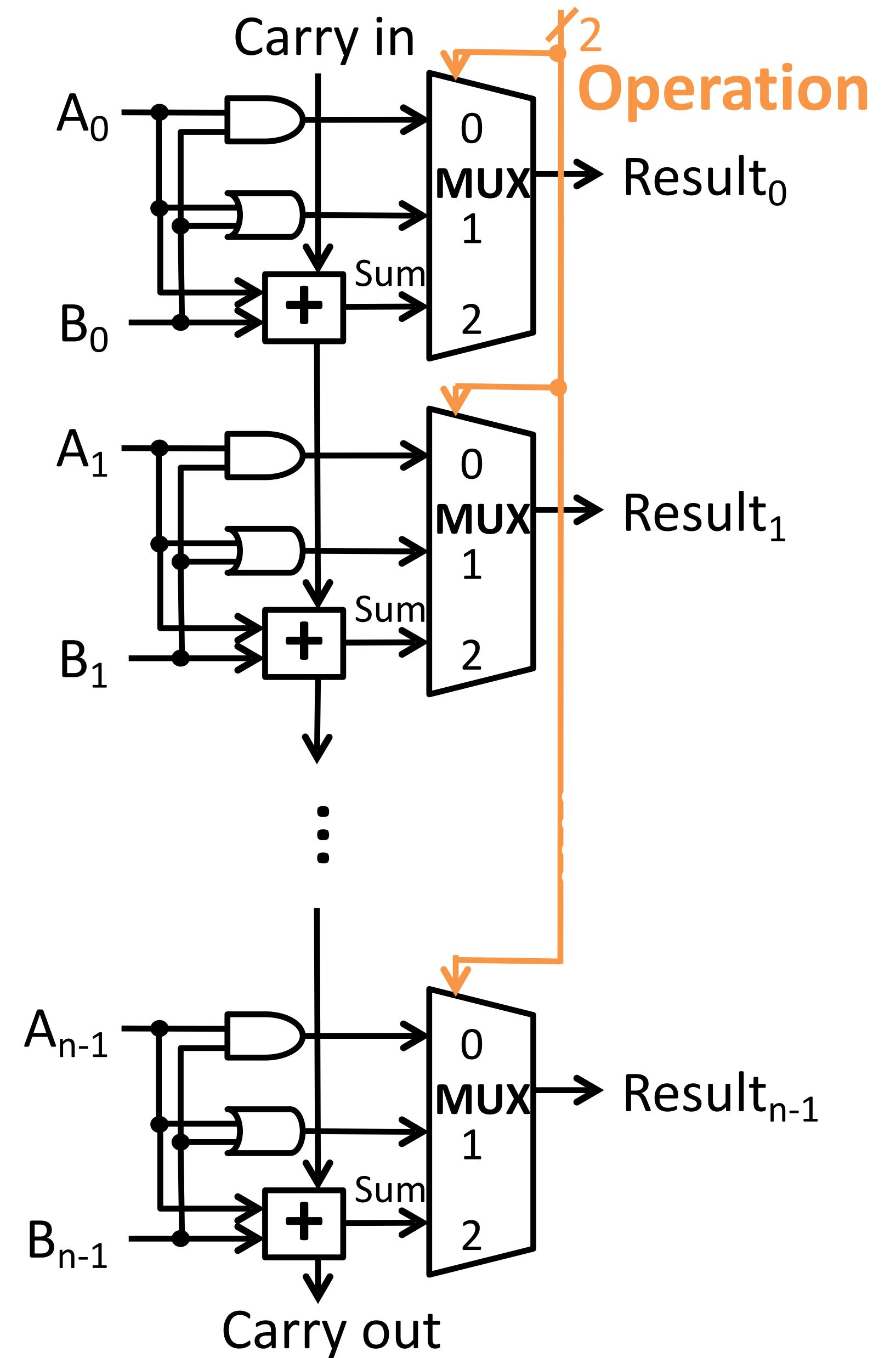


Operation

*Use the same selector for every 1-bit ALU*

# Controlling the ALU

ALU control lines	Function
00	AND
01	OR
10	add



# Include subtraction

How can we control ALU inputs or add minimal new logic to **also compute  $A-B$** ?

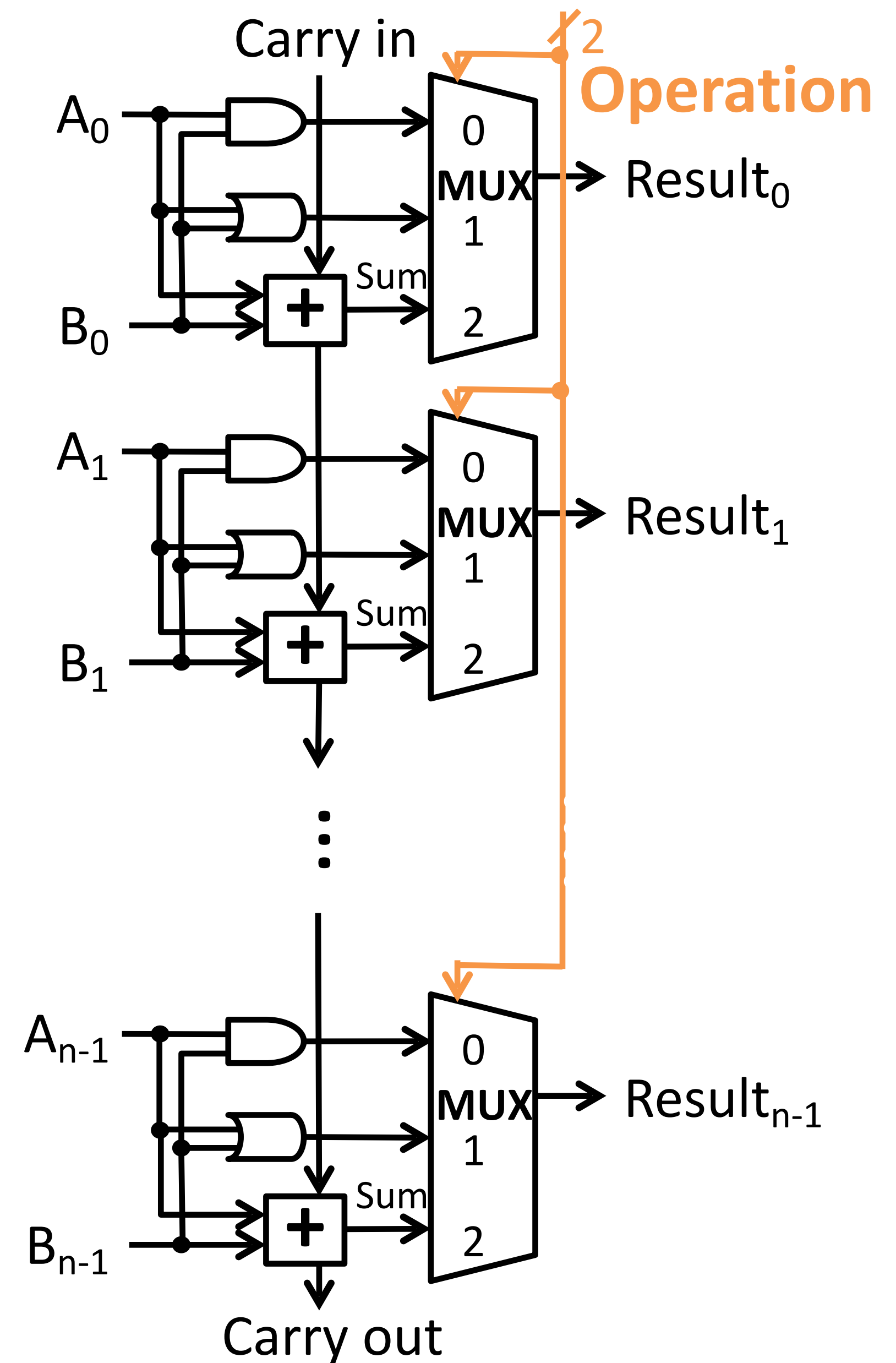
**Recall:**

$$\begin{aligned} A - B &= A + (-B) \\ &= A + (\sim B + 1) \end{aligned}$$

**Plan:**

Feed bitwise-not B into the adder

Add an extra 1: how?



# Include subtraction

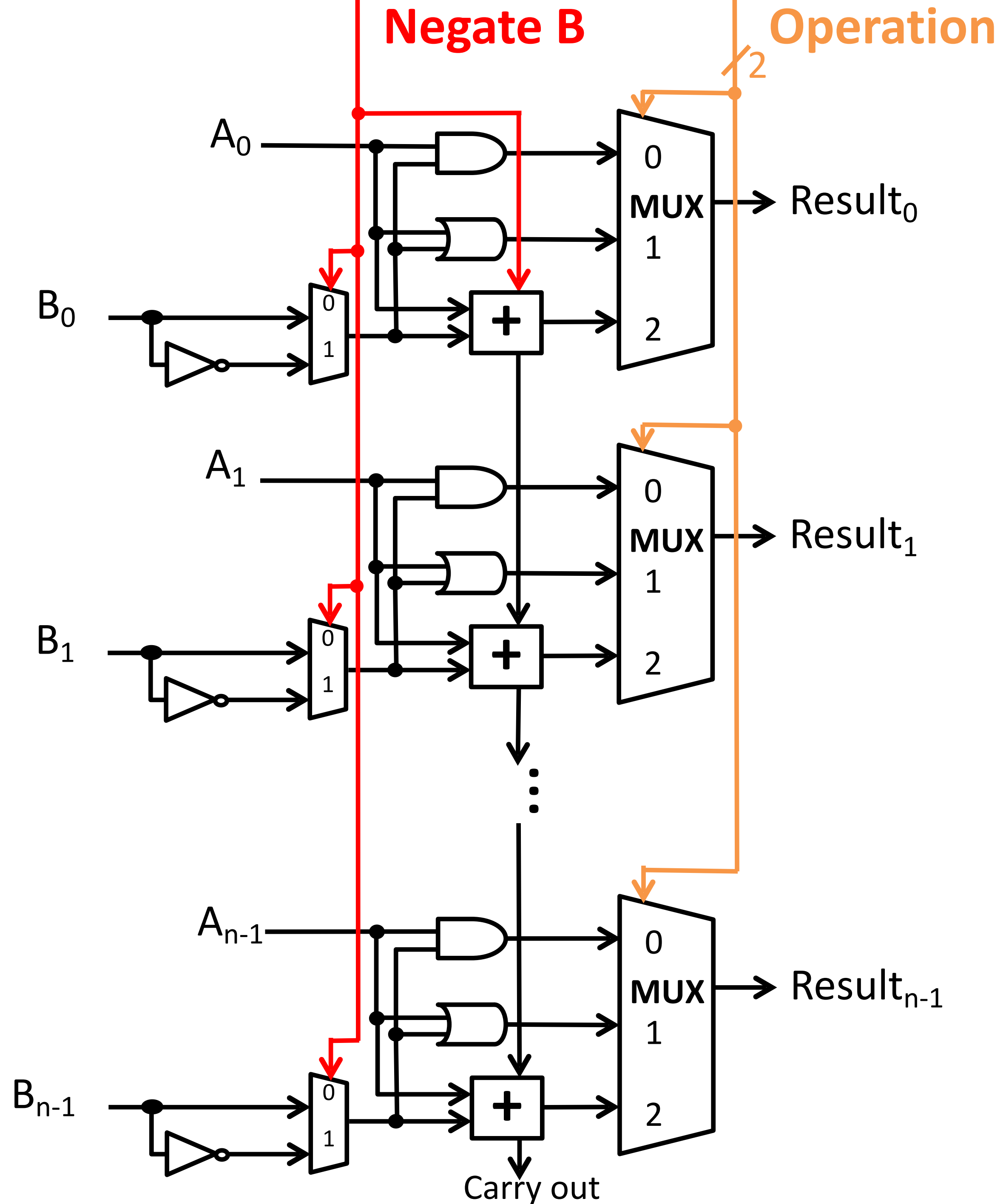
## Plan to compute $A-B$ :

1. Feed bitwise-not B into the adder
2. Add an extra 1

## Key insight:

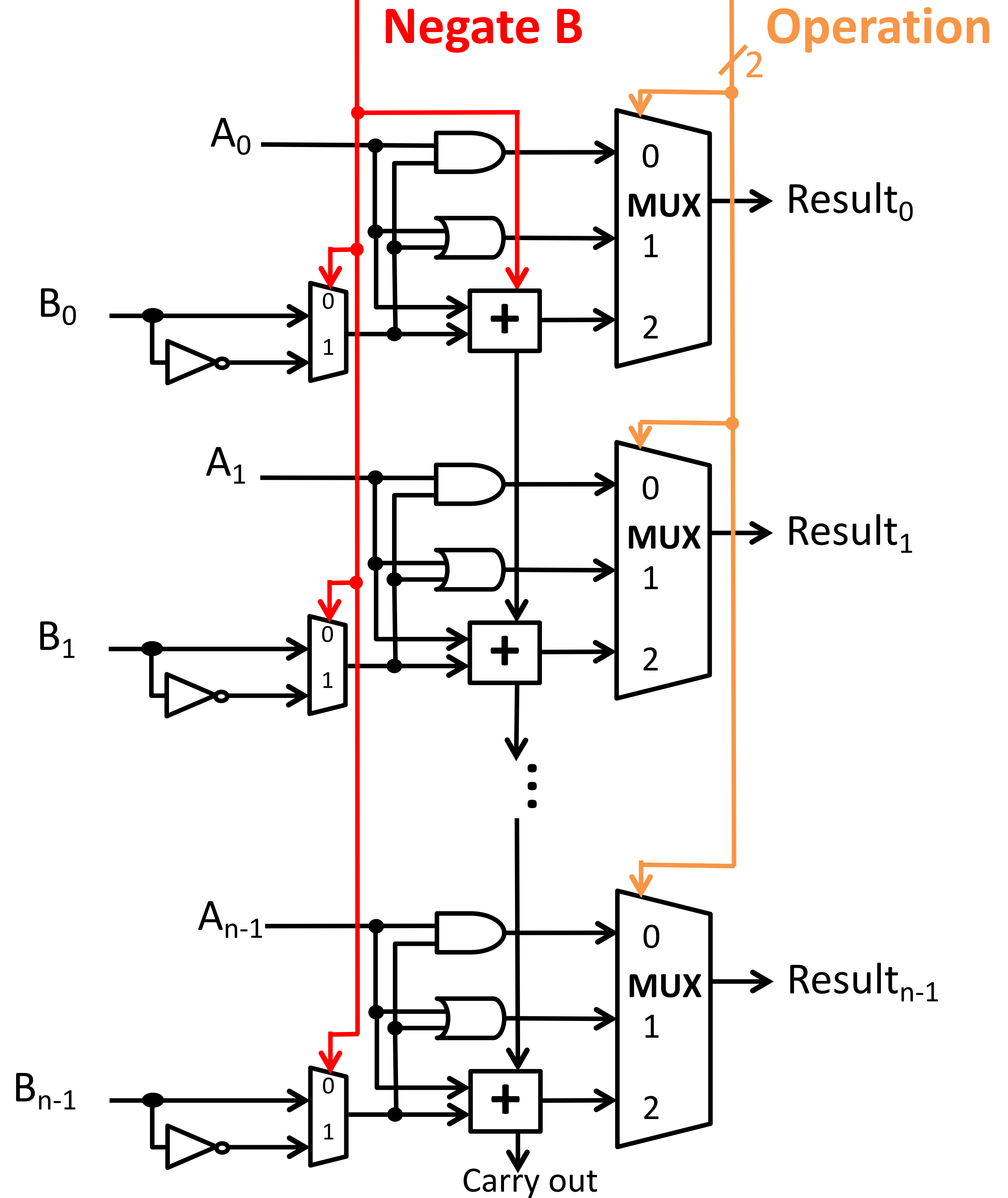
The *same* selector bit (0 or 1) can be used for both!

1. Feed the selector into a new 2:1 mux to choose B or  $\sim B$
2. Feed the selector in as the carry in to the least significant bit



# Include subtraction

ALU control lines	Function
000	AND
001	OR
010	add
110	subtract
...	...



**A NAND B**

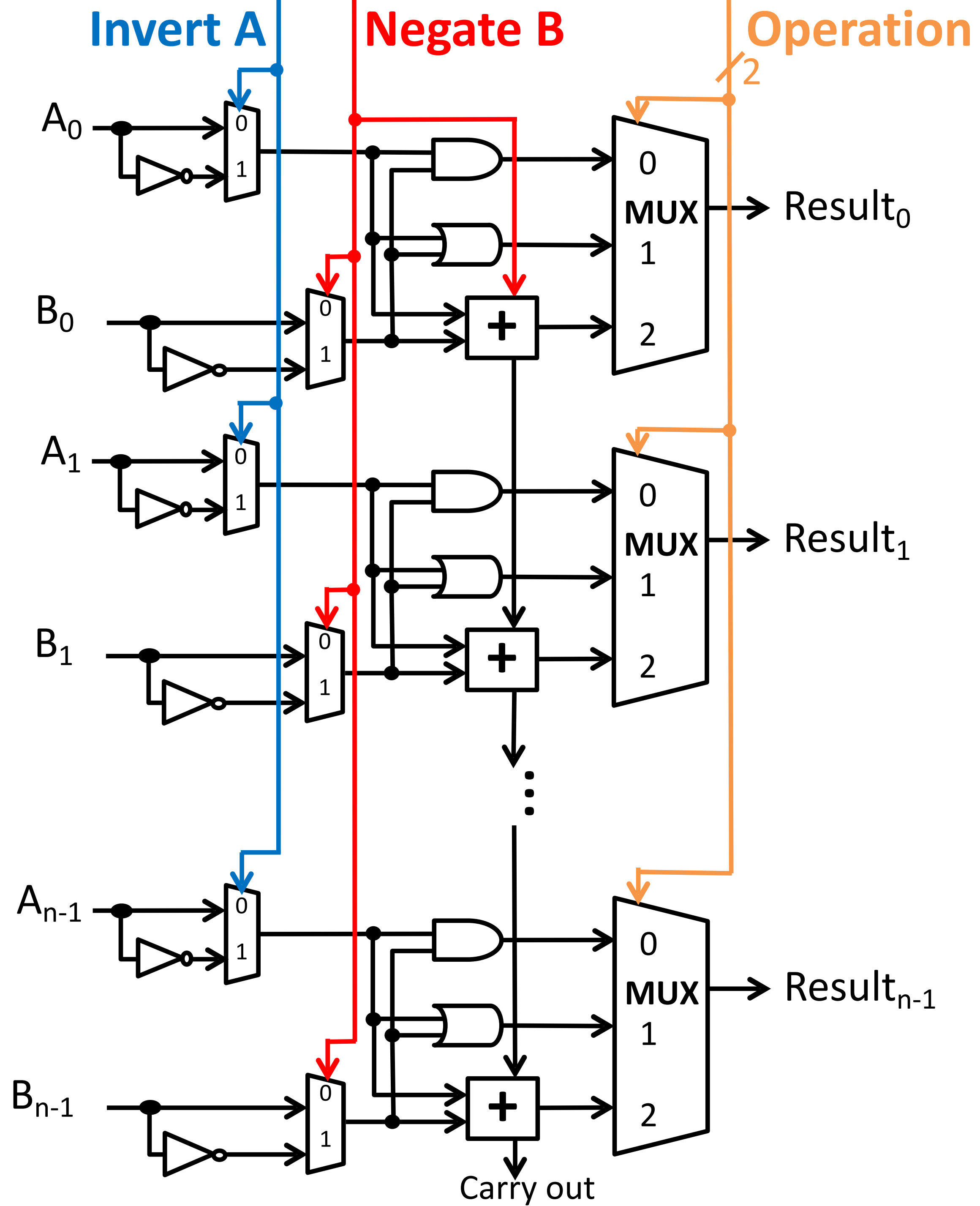
**A NOR B**

**A < B**

**A == B**

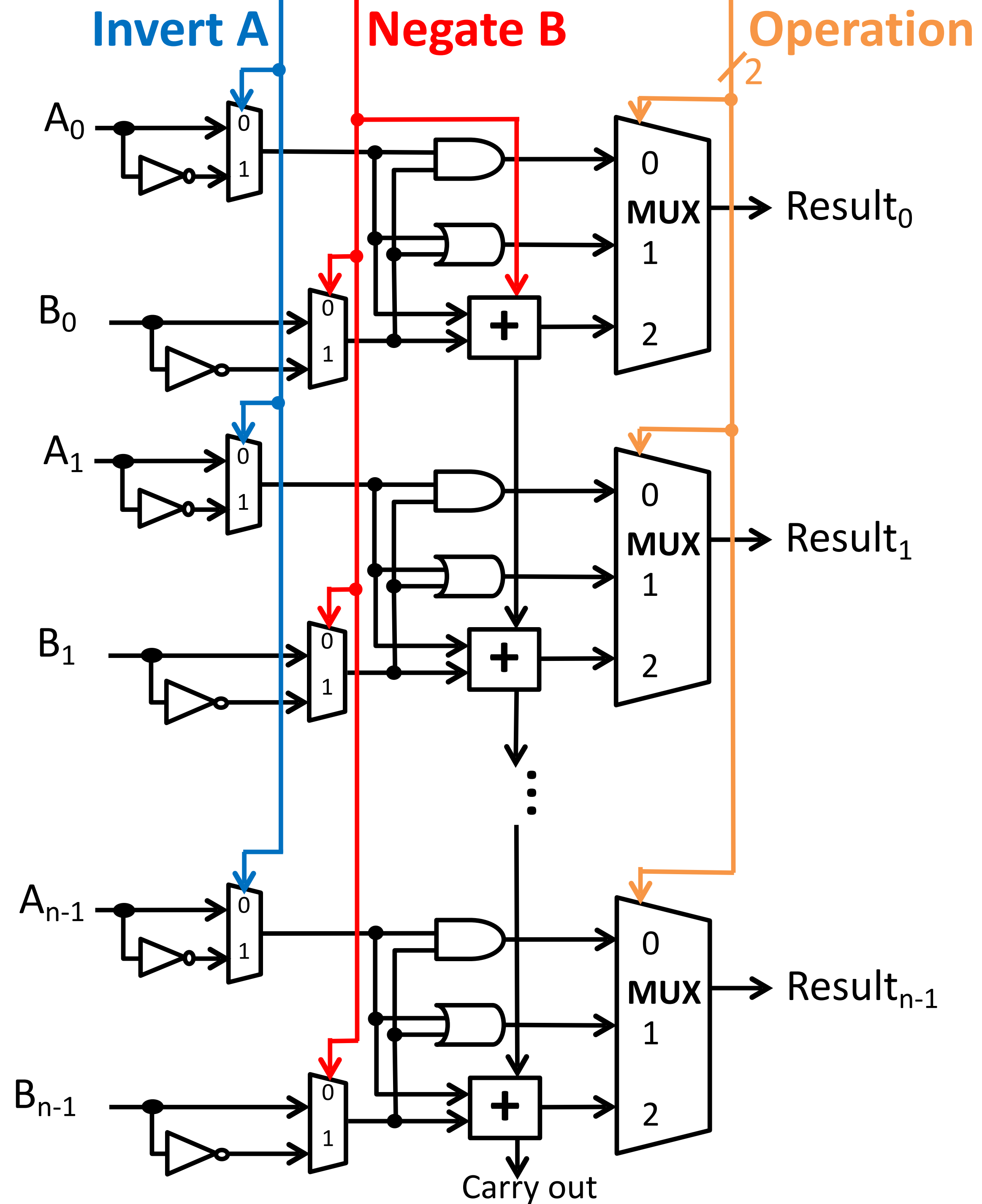
*How can we control ALU inputs or add minimal new logic to compute each?*

*You will implement these in the Circuits Assignment!*



ALU control lines	Function
0000	AND
0001	OR
0010	add
0110	subtract
????	NAND
????	NOR
????	less than
????	equals

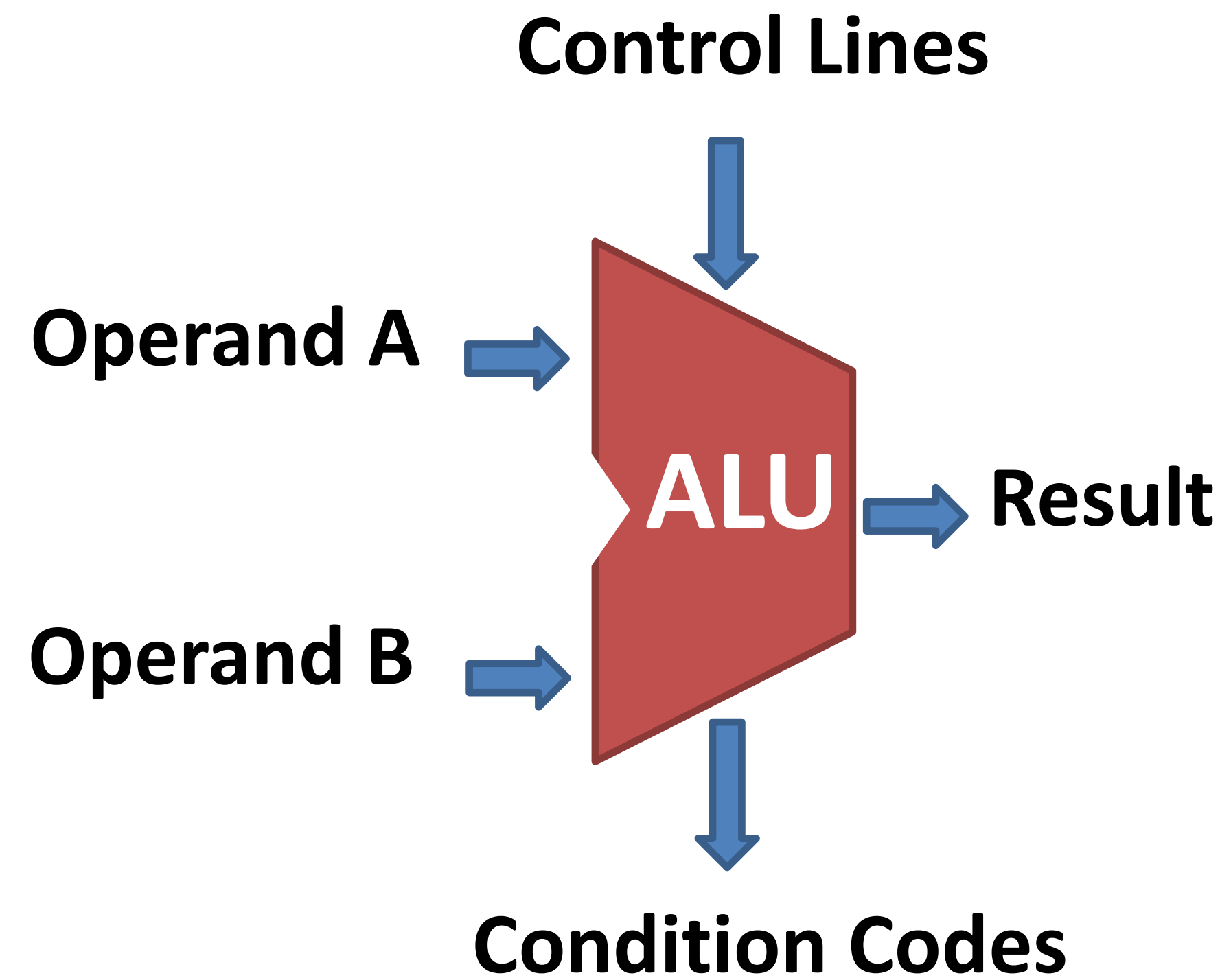
*You will implement these in the Circuits Assignment!*



# Controlling the ALU



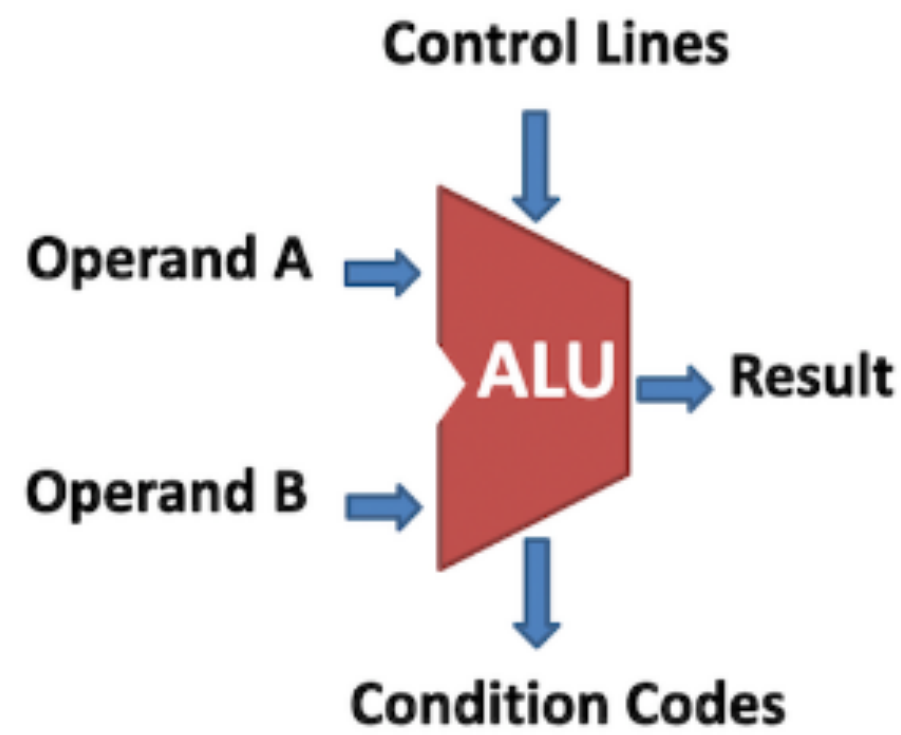
ALU control lines	Function
0000	AND
0001	OR
0010	add
0110	subtract
...	...





# How many different functions (operations) could this ALU theoretically perform?

ALU control lines	Function
0000	AND
0001	OR
0010	add
0110	subtract
...	...



4

8

16

32

None of the above

# ALU conditions (additional outputs)

## Extra ALU outputs

describing properties of result.

### Zero Flag:

1 if result is 00...0 else 0

### Sign Flag:

1 if result is negative else 0

### Carry Flag:

1 if carry out else 0

### (Signed) Overflow Flag:

1 if signed overflow else 0

*You will implement these in the Circuits Assignment!*

