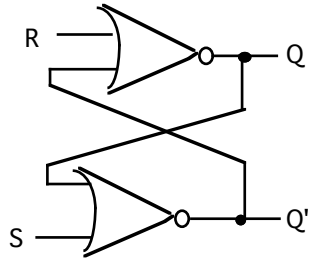


CS240 Laboratory 4

Sequential/Memory Circuits

SR (Set Reset) Latch

Recall that the SR latch is a single-bit memory that we introduced in lab 3:



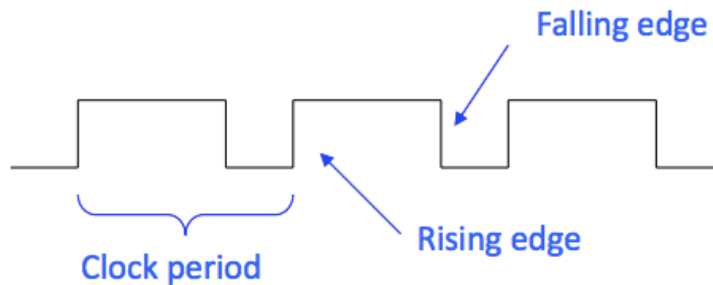
S	R	Q	Q'
0	0	Q _p	Q _p ' (remember)
0	1	0	1 (clear)
1	0	1	0 (set)
1	1	not used (unpredictable)	

Clocked SR Latch

To synchronize when the latch changes state, add a **clock** input:

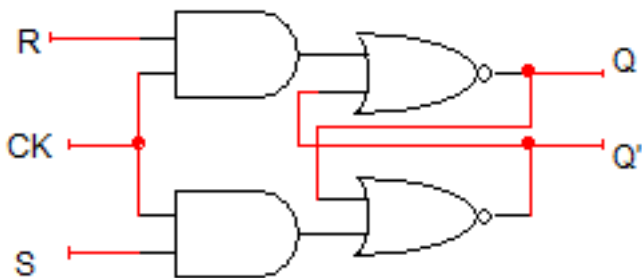
Clock: free-running signal
with fixed **cycle time = clock period = T.**

Clock frequency = 1 / clock period



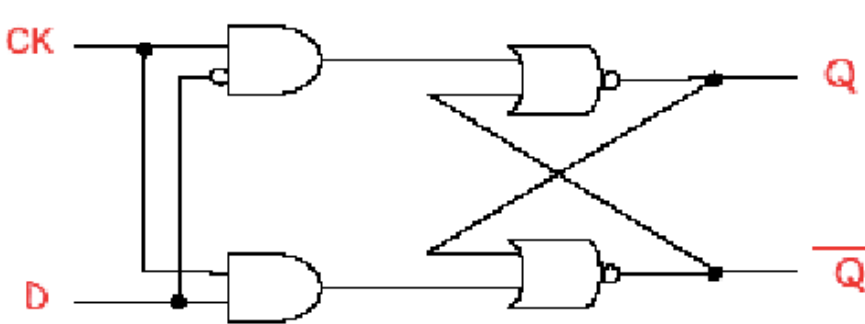
A clock controls when to update a sequential logic element's state.

In a clocked latch, when the clock is high, the outputs/state of the latch can change.



D Latch

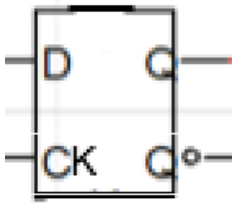
The D latch is another 1-bit clocked memory device. It avoids the unpredictable state $S=R=1$ of the SR latch, because a single input D determines the next state of the circuit.



D	Q
0	0
1	1

Q gets the value of D when the CK is high.

The D latch circuit can be abstracted to the following:



D Flip-Flop

Similar to a latch, a flip-flop is also a 1-bit memory.

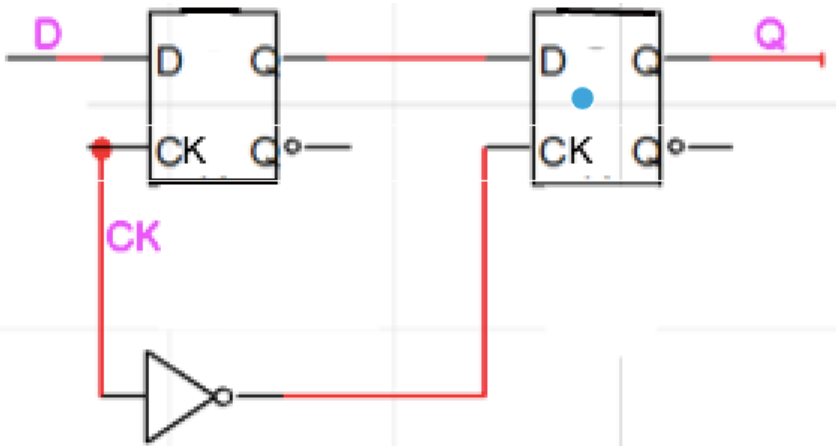
Rather than allowing change of state any time the clock is high (as for the latch), in the flip-flop, the change of state occurs on a clock edge.

The *falling edge* of the clock is the exact transition from high-to-low, rather than whenever the clock is high (the negative edges are marked in red below):



Internally, a flip-flop is actually made from 2 latches.

The first latch is controlled directly by the clock, but the second latch is controlled by the *inverse* of the clock:



So, the input D will not be passed from the first latch to the second latch until the clock goes low.

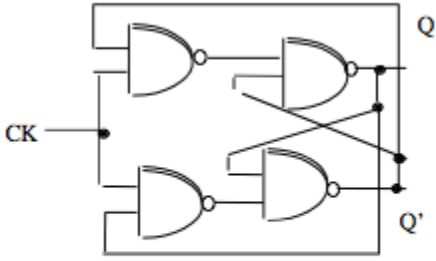
Once the clock is low, a new value on D will not store into the first latch. Overall, the flip-flop can change value only *exactly* at the transition of the clock from high to low.

T Flip-Flop

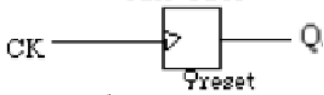
Another type of flip-flop which avoids the unpredictable state is a **T flip-flop**. It only has a clock input, and simply toggles to the opposite of the current state when it is clocked because the values of the current outputs are tied back into the inputs for the next state.

The T latch, upon which the flip-flop is based, looks like this:

<u>Qprev</u>	<u>Qnext</u>
0	1
1	0



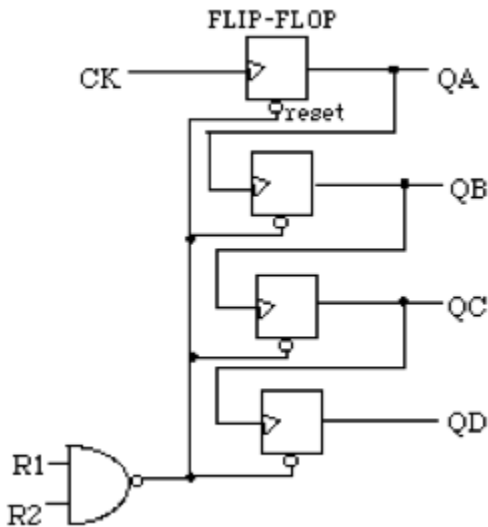
The T flip-flop can be abstracted to the following device (the **reset** input allows you to initialize the device to a value of 0):



In lab 2, we investigated the operation of a combinational circuit called a **binary counter**, which produces a 4-bit value which represents the sequence of binary numbers from 0 to 15.

At the time, we did not explain the details of the underlying circuit of the binary counter, because it uses flip-flops, which we had not yet discussed.

The **binary counter** uses 4 interconnected **T** flip-flops:

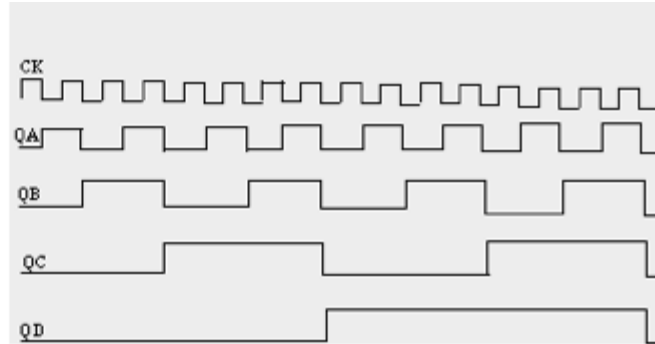


The output of the first T flip-flop, QA, serves as the clock to QB. So, QB only changes when QA falls from 1 to 0 (on the negative edge). QB therefore only changes half as frequently as QA.

A similar relationship exists for QB to QC, and QC to QD.

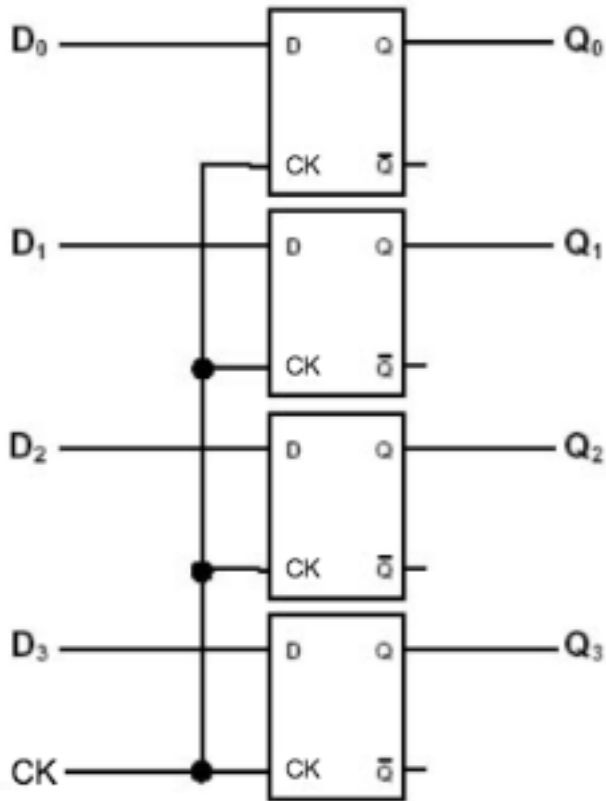
The pattern of outputs then represents the binary numbers, since that is exactly how the digits change as the numbers increment:

<u>CK</u>	<u>QD</u>	<u>QC</u>	<u>QB</u>	<u>QA</u>
1				
<u>0</u>	0	0	0	0
1				
<u>0</u>	0	0	0	1
1				
<u>0</u>	0	0	1	0
1				
<u>0</u>	0	0	1	1
1				
<u>0</u>	0	1	0	0
1				
<u>0</u>	0	1	0	1
1				
<u>0</u>	0	1	1	0
1				
<u>0</u>	0	1	1	1
1				
<u>0</u>	1	0	0	0
1				
<u>0</u>	1	0	0	1
1				
<u>0</u>	1	0	1	0
1				
<u>0</u>	1	0	1	1
1				
<u>0</u>	1	1	0	0
1				
<u>0</u>	1	1	0	1
1				
<u>0</u>	1	1	1	0
1				
<u>0</u>	1	1	1	1



Memory Devices using Flip-flops

Register - n -bit memory, uses n flip-flops, and a shared *clock* input. Shown below is a 4-bit register:



Registers are used to represent single n -bit value in a Computer Processing Unit (CPU).

Register File

The CPU contains a set of registers to hold values which are being used to execute an instruction.

This set of registers is called a **register file**.

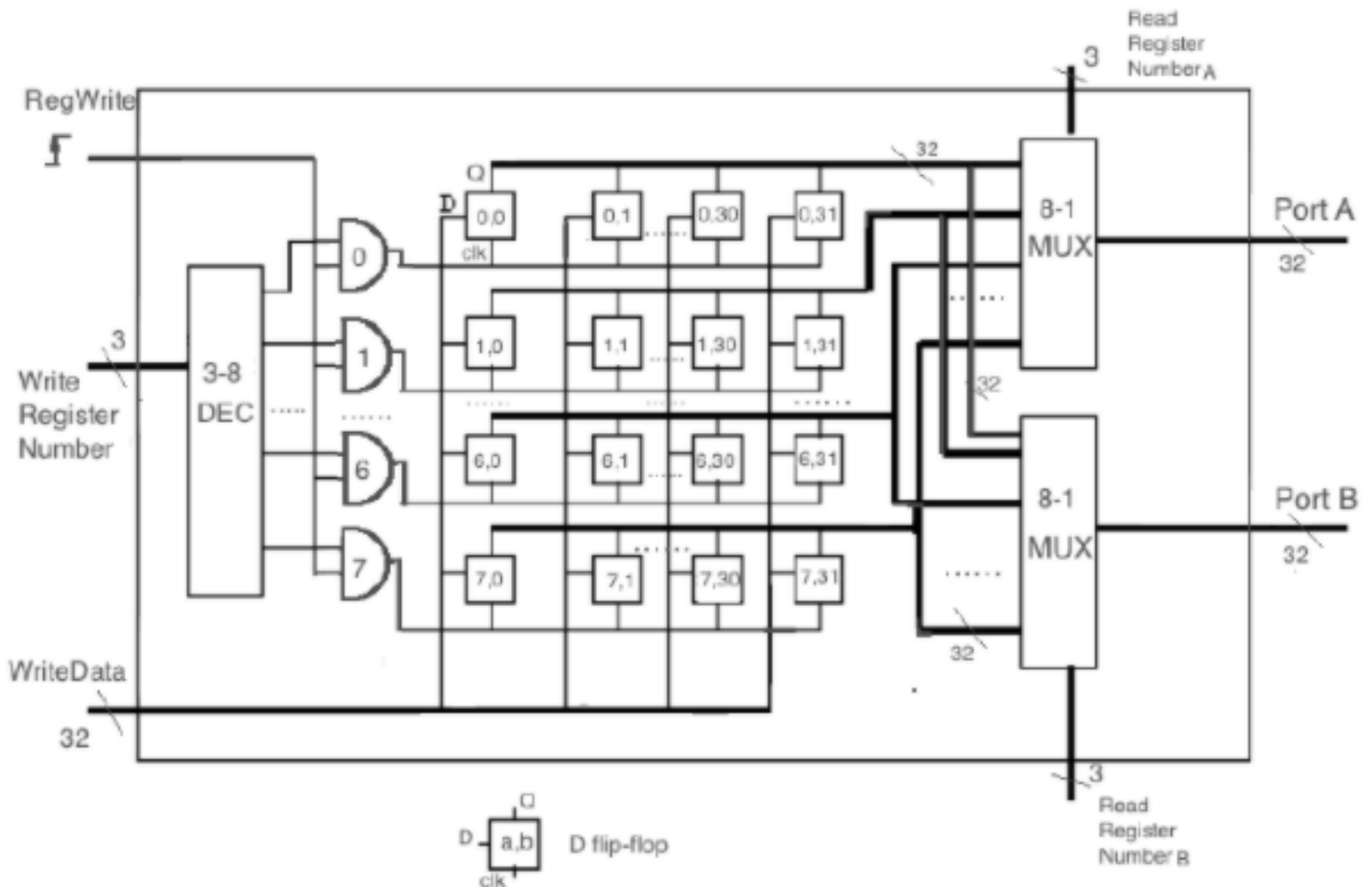
The register file contains multiple registers (although typically a limited number) and so is a larger memory than a single register.

However, in addition to the set of registers, the register file also contains circuits (multiplexers and decoders) which select which registers to read from or write to for a particular instruction.

A block diagram for a register file containing 8 32-bit registers is shown below.

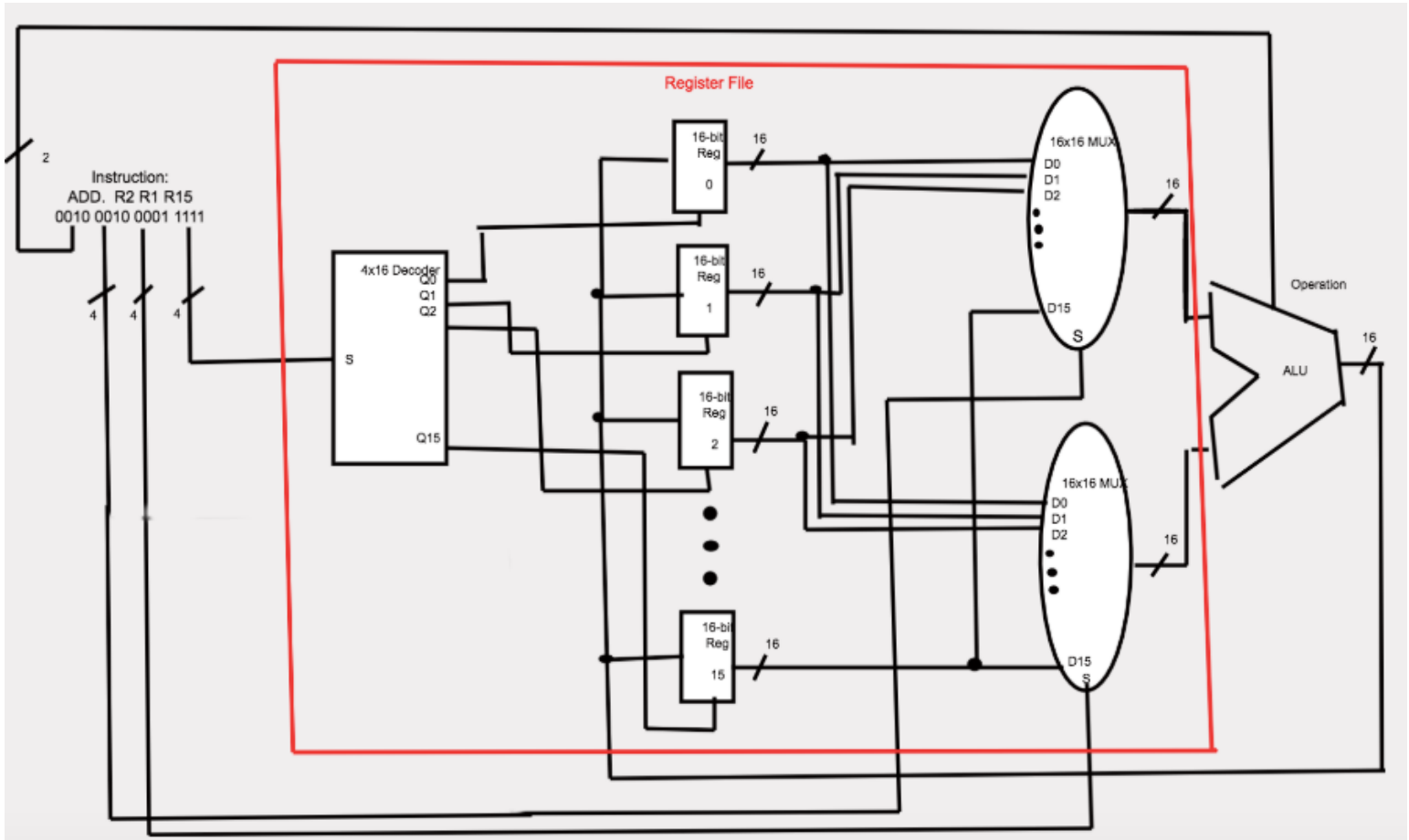
Notice the two 8x1 multiplexers on the right: these select two registers from the set of 8 to read from at any given time. The 3x8 decoder on the left selects a single register to be written to with a new value at any given time.

Note: a **bold** black line with /3 through it would indicate that there are actually 3 wires/bits represented by the line



Although a register file contains multiple registers, it is still a fairly small memory, and is a special purpose circuit for the CPU.

Here is how it is used in the CPU we will study:



RAM memory

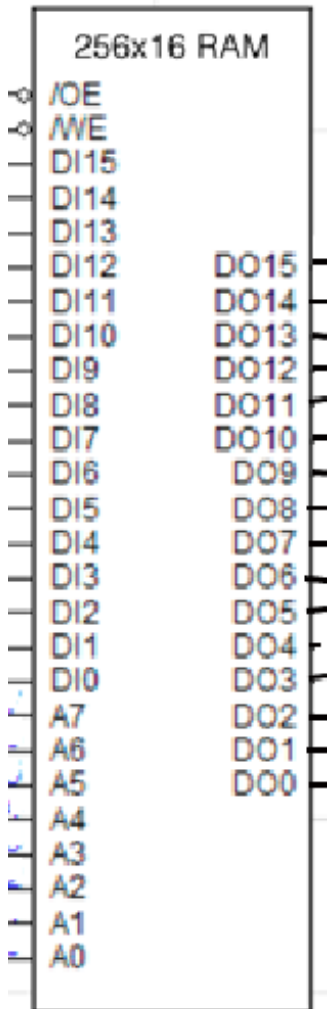
RAM (Random Access Memory) memories are general purpose, and can be used to store a large set of values (which can represent either instructions in a program or data).

A RAM memory contains multiple flip-flops, organized into n-bit words, where each word can be accessed through use of an address. Another way to think of a memory is as an array of n-bit values. You access the value you want by specifying its index, which we refer to as an *address*.

In the diagram below, there are 4 **addresses** (specified as 00, 01, 10, and 11). Each address contains 3 bits of **data** (a flip-flop would be used to store each data bit of 1 or 0).

<i>Address</i>	<i>Data</i>		
11	0	1	0
10	1	0	0
01	1	1	0
00	0	1	1

In addition to the flip-flops, and although it is not shown in the diagram above, a memory also contains multiplexer and decoder circuits to select which value is being accessed.



For example, a 256x16 RAM contain 256 16-bit values.

To **read** one of the stored values, you specify the address of the value on the A inputs, and the data at that address is read from the D0 outputs.

To **write** a new value to the memory:

- Specify the new value on the DI inputs.
- Specify the address where the new value will be stored on the A inputs.
- Activate the /WE control signal (which is basically the clock input to the flip-flops in the device).